

**Model Number****IPH-F97-V1**

LF read/write head for IDENTControl

Features

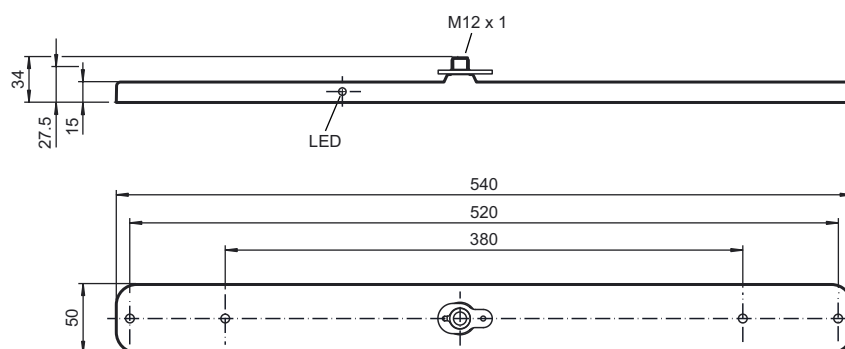
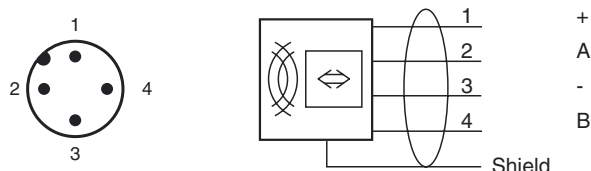
- Connection via V1 (M12 x 1) plug connection
- Dual-LED for function display
- Degree of protection IP67

Accessories**V1-G-5M-PUR-ABG-V1-W**

Connecting cable, M12 to M12, PUR cable 4-pin, shielded

V1-G-10M-PUR-ABG-V1-W

Connecting cable, M12 to M12, PUR cable 4-pin, shielded

Dimensions**Electrical connection****Technical data****General specifications**

Operating frequency	125 kHz
Transfer rate	2 kBit/s
Sensing range	
Read distance	1 ... 70 mm (with transponder IPC03-50P at 25°C)
Write distance	1 ... 58 mm (with transponder IPC03-50P at 25°C)
Width	max. 450 mm
UL File Number	E87056

Indicators/operating means

LED green/yellow	green: power on green flashing: read/write attempt performed yellow: data carrier detected
------------------	--

Electrical specifications

Power consumption	P_0	≤ 1.2 W
Supply		from the IDENTControl

Ambient conditions

Ambient temperature	-25 ... 55 °C (-13 ... 131 °F)
Storage temperature	-40 ... 55 °C (-40 ... 131 °F)

Mechanical specifications

Degree of protection	IP67
Connection	M12 x 1 connector
Material	
Housing	ABS 20 GF
Encapsulation compound	WEVO 403FL/300
Installation	
Distance between two heads	Multiplex on: ≥ 50 mm Multiplex off: ≥ 1000 mm
Mass	approx. 500 g

Compliance with standards and directives

Directive conformity	
R&TTE Directive 1995/5/EC	EN 301489-1 V1.8.1 (2008-04), EN 301489-3 V1.4.1 (2002-08), EN 300330-2 V1.3.1 (2006-04), EN 60950-1:2006
Standard conformity	
Degree of protection	EN 60529