



### Model Number

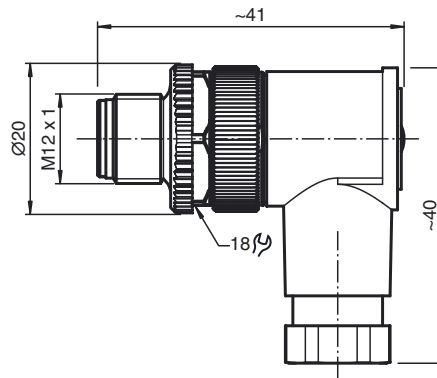
**V1S-W-BK**

Male cordset, M12, 4-pin, field attachable

### Features

- Screw terminal connection
- Metal locking

### Dimensions



### Technical data

#### General specifications

Number of pins	4
Connection 1	Male connector
Construction type 1	right angle
Threading 1	M12
UL File Number	E363587

#### Electrical specifications

Operating voltage	$U_B$	max. 250 V AC/DC
Operating current		max. 4 A
Volume resistance		< 8 m $\Omega$

#### Ambient conditions

Ambient temperature	-40 ... 85 °C (-40 ... 185 °F)
Pollution Degree	3

#### Mechanical specifications

Degree of protection	IP67
Connection	1 x M12 right-angled connector Screw terminals for max. 0.75 mm <sup>2</sup> , AWG 18
Material	
Contacts	CuZn
Contact surface	CuSnZn
Connector	CuZn
Body	PBT, black
Cable	
Sheath diameter	4 ... 6 mm
Mating cycles	50

#### Compliance with standards and directives

Standard conformity	
Degree of protection	EN 60529:2000

### Electrical connection

