



**Model number**

**VAZ-2T8-G11-F**

Splitter box, flat cable, AS interface and auxiliary voltage to eight M12 connectors

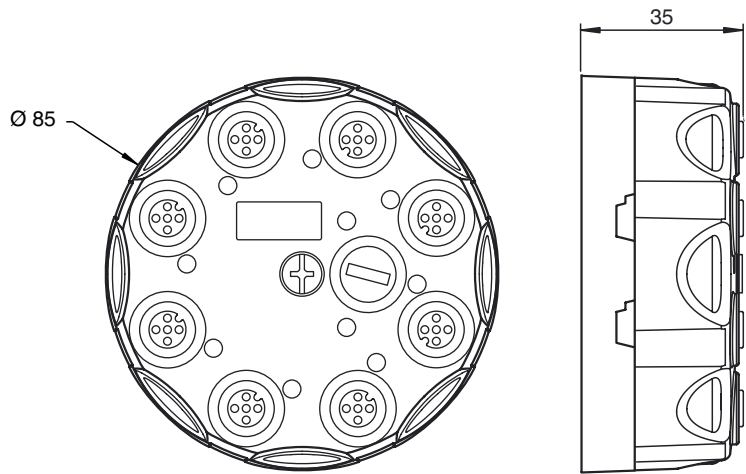
**Features**

- Less space required
- Field housing with protection degree IP67
- Simple and fast mounting
- Distribution to 8 V1 connectors (M12)

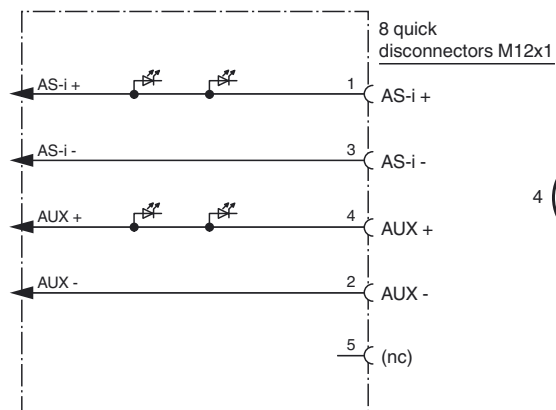
**Function**

The VAZ-2T8-G11-\* splitter box is used to distribute the AS-Interface connection and the external auxiliary power to eight M12 x 1 quick disconnects. Due to its passivity the distributor does not require an own address on the AS-Interface-net. It is ideal for applications in the field owing to the protection class IP67. LEDs indicate correct polarity of the AS-Interface cable or the external auxiliary power.

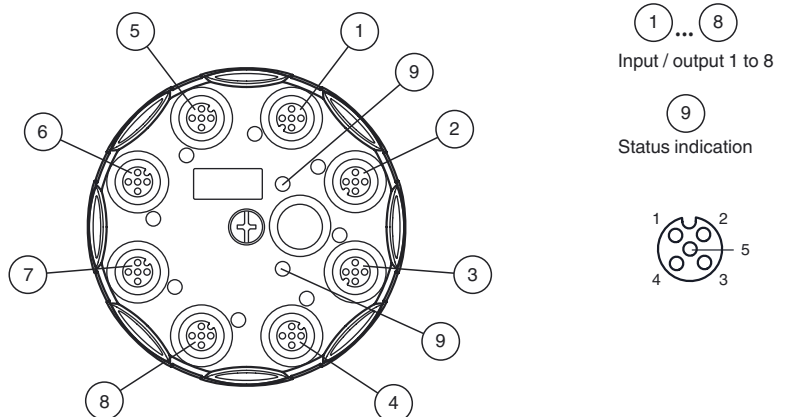
**Dimensions**



**Electrical connection**



**Indicating / Operating means**



Release date: 2012-03-13 08:25 Date of issue: 2014-01-13 22:4974\_eng.xml

**Technical data****Indicators/operating means**

LED AS-i	AS-Interface voltage; dual LED green/red green: voltage OK red: reversed voltage
LED AUX	ext. auxiliary voltage $U_{AUX}$ ; dual LED green/red green: voltage OK red: reverse voltage

**Electrical specifications**

Rated operating voltage	$U_e$	$\leq 32$ V PELV ( AS-Interface , ext. auxiliary voltage AUX )
Rated operating current	$I_e$	$\leq 4$ A
Protection class		III
Surge protection		overvoltage category III
Pulse withstand voltage		800 V

**Ambient conditions**

Ambient temperature	-25 ... 70 °C (-13 ... 158 °F)
Storage temperature	-25 ... 85 °C (-13 ... 185 °F)
Pollution Degree	3

**Mechanical specifications**

Protection degree	IP67 according to EN 60529
Connection	Flat cable AS-Interface: cable piercing method Flat cable ext. auxiliary voltage $U_{AUX}$ : Insulation penetration technology Plug connection: M12 x 1 socket (V1)

**Material**

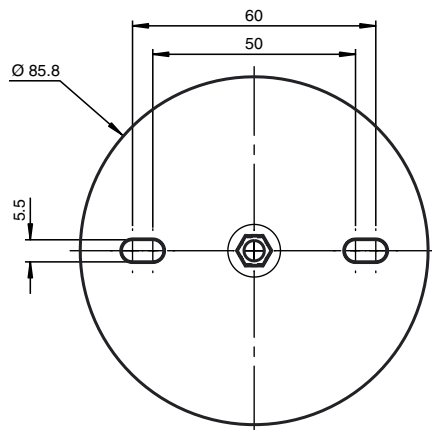
Contacts	CuSn / Au
Housing	PBT PC
Mounting screw	Stainless steel 1.4305 / AISI 303
Mass	120 g
Tightening torque, fastening screws	1.65 Nm
Mounting	Mounting base

**Compliance with standards and directives**

Standard conformity	
Protection degree	EN 60529:2000

**Mounting instructions**

Screw the device onto a level mounting surface using two M5 attachment screws. The attachment screws are not included.



Screw a blind plug onto spare connections to ensure the protection category.