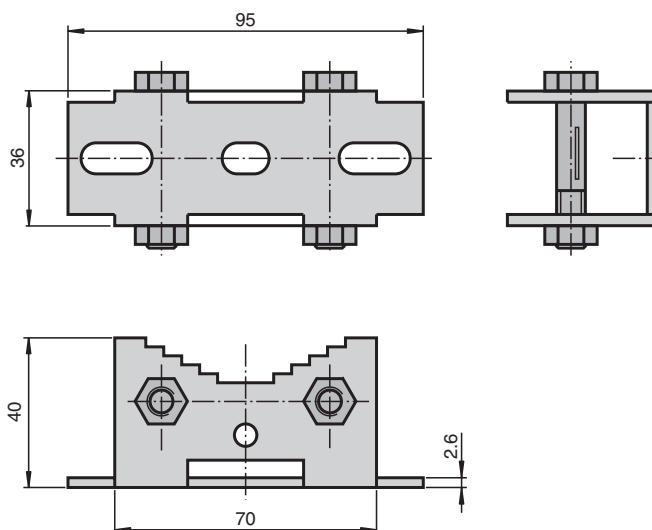


**Dimensions**



**Features**

- Accessory for WirelessHART temperature converter
- Allows mounting on vertical or horizontal poles
- Pole diameter up to 30 cm

**Function**

This mounting set allows to mount a WirelessHART temperature converter WHA-UT-F7B1-\* to a pole.

Through the modular construction, the pole can be horizontal or vertical.

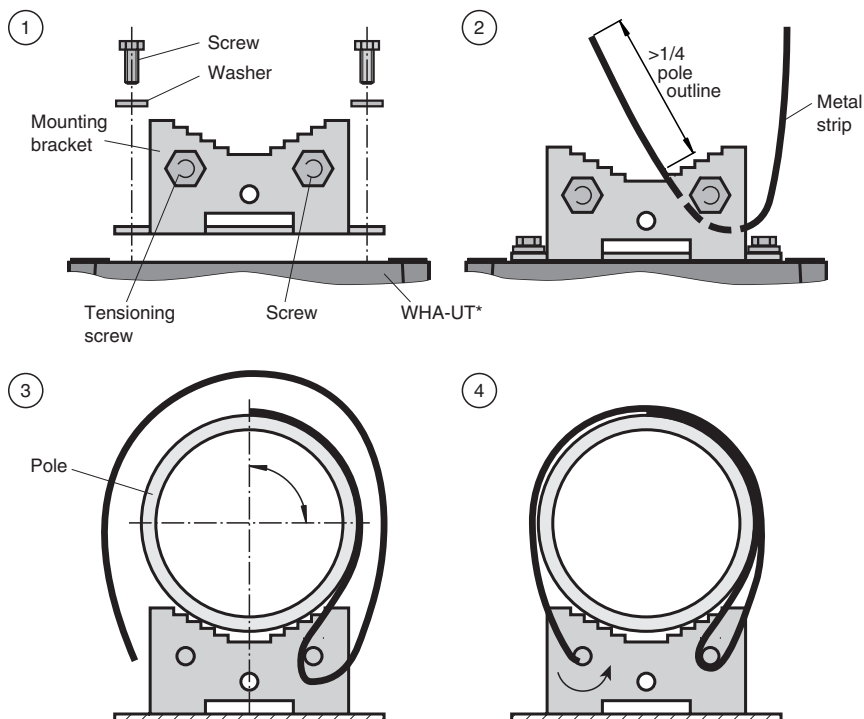
The dimensions are optimized to bring the antenna of WirelessHART device above the pole in order to minimize interference of radio communication.

**Technical data**

Mechanical specifications	
Material	metal
Mass	approx. 175 g
Dimensions	95 x 38 x 40 mm (3.7 x 1.5 x 1.6 in)
Mounting	pole mounting

## Notes

## Mounting



1. Screw the mounting bracket to the backside of the WirelessHART temperature converter WHA-UT-F7B1\*, using the washers and the screws. The orientation is dependant on the orientation of the pole (vertical or horizontal).
2. Pull the metal strip behind the screw in the manner that on the inner side a length of at least  $\frac{1}{4}$ th of the pole outline extrudes.
3. Press the mounting kit to the pole. Shorten the metal strip in the manner that the outside part reaches the tensioning screw. Insert the metal strip into the slot of the tensioning screw.
4. Turn the tensioning screw to tighten the metal strip.