

Features

- 2-channel signal conditioner
- 24 V DC supply (Power Rail)
- Input 2-wire transmitters
- Output 0/4 mA ... 20 mA
- Accuracy 0.1 %
- Up to SIL2 acc. to IEC 61508

Function

This signal conditioner provides the isolation for non-intrinsically safe applications.

The device supplies 2-wire transmitters.

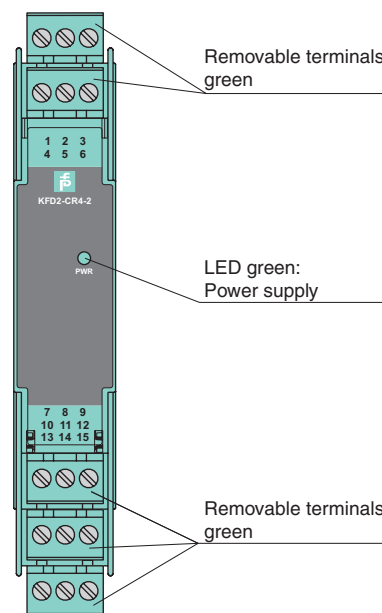
It transfers the analog input signal as an isolated current value.

The output provides a 0/4 mA ... 20 mA current corresponding to the input signal. The minimum available field voltage is 16 V at 20 mA.

If necessary, the internal resistance of 250 Ω between terminals 8, 9 and 11, 12 can be used for conversion into a 0 V ... 5 V voltage signal.

Assembly

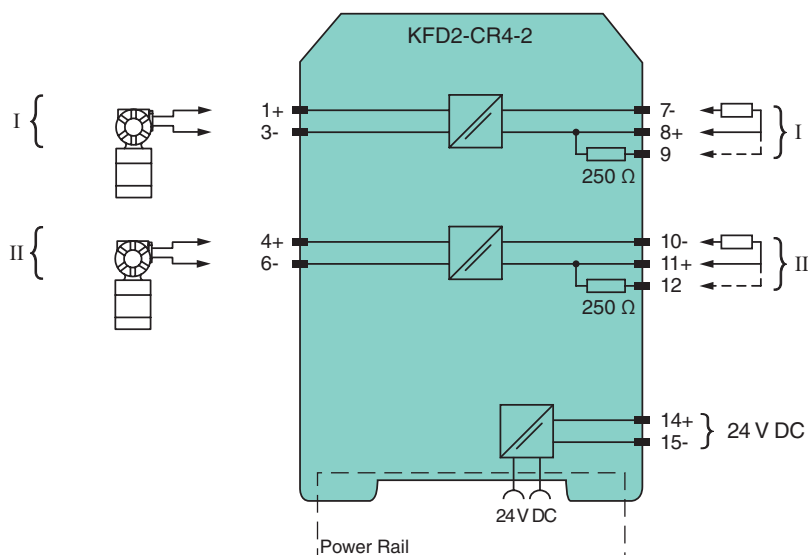
Front view



CE

SIL2

Connection



Release date 2013-08-07 15:41 Date of issue 2015-02-16 228760_eng.xml

General specifications	
Signal type	Analog input
Supply	
Connection	Power Rail or terminals 14+, 15-
Rated voltage U_n	20 ... 35 V DC
Ripple	within the supply tolerance
Power loss	1.8 W
Power consumption	≤ 2.7 W
Input	
Connection	terminals 1+, 3-; 4+, 6-
Input signal	0/4 ... 20 mA
Open circuit voltage/short-circuit current	terminals 1+, 3-; 4+, 6-: 22.1 V / 38 mA
Input resistance	terminals 1+, 3-: ≤ 500 Ω (250 Ω load)
Available voltage	terminals 1+, 3: ≥ 15.7 V at 20 mA
Ripple	50 mV _{ss} at 20 mA
Output	
Connection	terminals 7-, 8+; 10-, 11+
Load	0 ... 550 Ω
Output signal	0/4 ... 20 mA
Ripple	≤ 50 μA _{rms}
Transfer characteristics	
Deviation	at 20 °C (68 °F), 0/4 ... 20 mA ≤ 10 μA incl. calibration, linearity, hysteresis, loads and fluctuations of supply voltage
Influence of ambient temperature	0.25 μA/K
Rise time	20 μs
Settling time	200 μs
De-energized delay	20 μs
Electrical isolation	
Input/Output	basic insulation according to IEC 61010-1, rated insulation voltage 300 V _{eff}
Input/power supply	basic insulation according to IEC 61010-1, rated insulation voltage 300 V _{eff}
Output/power supply	functional insulation, rated insulation voltage 50 V AC
Input/input	basic insulation according to IEC 61010-1, rated insulation voltage 300 V _{eff}
Output/Output	functional insulation, rated insulation voltage 50 V AC
Directive conformity	
Electromagnetic compatibility	
Directive 2004/108/EC	EN 61326-1:2006
Conformity	
Electromagnetic compatibility	NE 21:2011
Degree of protection	IEC 60529:2001
Protection against electrical shock	EN 61010-1:2010
Ambient conditions	
Ambient temperature	-20 ... 60 °C (-4 ... 140 °F)
Mechanical specifications	
Degree of protection	IP20
Mass	approx. 150 g
Dimensions	20 x 119 x 115 mm (0.8 x 4.7 x 4.5 in) , housing type B2
Mounting	on 35 mm DIN mounting rail acc. to EN 60715:2001
General information	
Supplementary information	Statement of Conformity, Declaration of Conformity, Attestation of Conformity and instructions have to be observed where applicable. For information see www.pepperl-fuchs.com .

Release date 2013-08-07 15:41 Date of issue 2015-02-16 228760_eng.xml

Accessories

Power feed module KFD2-EB2

The power feed module is used to supply the devices with 24 V DC via the Power Rail. The fuse-protected power feed module can supply up to 150 individual devices depending on the power consumption of the devices. Collective error messages received from the Power Rail activate a galvanically-isolated mechanical contact.

Power Rail UPR-03

The Power Rail UPR-03 is a complete unit consisting of the electrical insert and an aluminium profile rail 35 mm x 15 mm. To make electrical contact, the devices are simply engaged.

Profile Rail K-DUCT with Power Rail

The profile rail K-DUCT is an aluminum profile rail with Power Rail insert and two integral cable ducts for system and field cables. Due to this assembly no additional cable guides are necessary.



Power Rail and Profile Rail must not be fed via the device terminals of the individual devices!