

Rod antenna for 2.4 GHz band

Features

- Replacement antenna for WirelessHART Gateway

Function

The rod antenna for 2.4 GHz band delivers an antenna gain of 2.0 dBi. It connects to the WirelessHART gateway WHA-GW* via a TNC connector.

Accessories

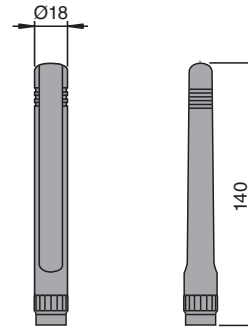
W-ACC-CA-NM-NM-*

Coaxial cable, N plug to N plug

W-ACC-ADP-NF-TNCF

Adapter N socket to TNC socket

Dimensions



Technical data

General specifications

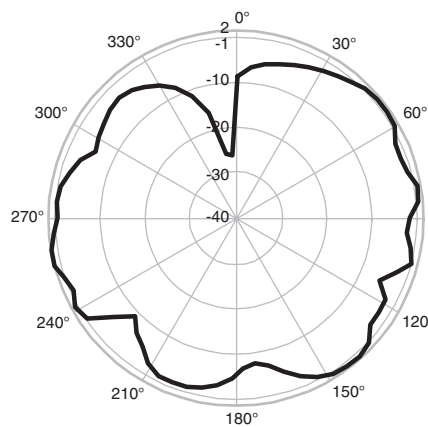
Frequency range	2.4 ... 2.285 GHz
Antenna gain	2.0 dBi
Polarization	vertical
Impedance	50 Ω

Mechanical specifications

Connection type	TNC connector
Material	plastic
Dimensions	Ø18 x 140 mm (0.7 x 5.5 in)

Antenna Characteristics

vertical 2.5 GHz



horizontal 2.5 GHz

