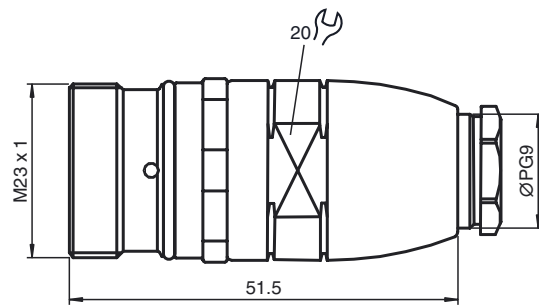




Dimensions



Model Number

V23-GK

Field attachable female cordset

Features

- Gold plated contacts

Technical data

General specifications

Number of pins	12
Connection 1	female connector
Construction type 1	straight
Threading 1	M23

Electrical specifications

Operating voltage	U_B	150 V AC/DC
Operating current		8 A
Volume resistance		$\leq 3 \text{ m}\Omega$

Ambient conditions

Ambient temperature	-40 ... 125 °C (-40 ... 257 °F)
Pollution Degree	2

Mechanical specifications

Protection degree	IP67
Connection	Solder connection for max. 1 mm ²
Material	
Contacts	CuSn
Contact surface	Au
Body	CuZn
Cable	
Sheath diameter	6 ... 10 mm

Electrical connection

