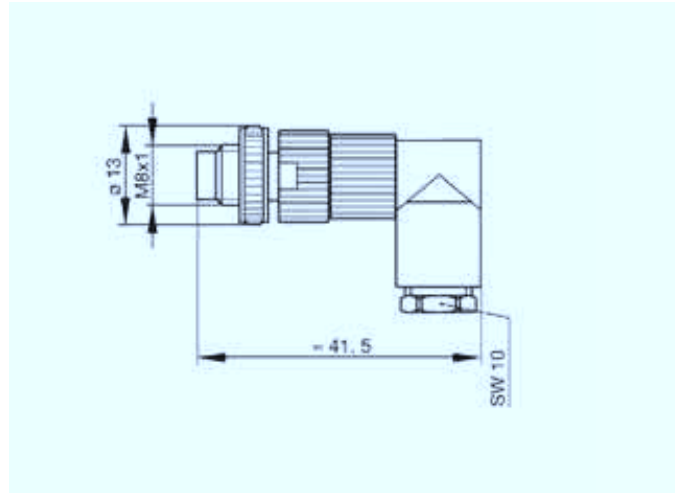




Dimensions



Model Number

V31S-WM-MQ

Field-attachable male connector, M8, 4-pin

Features

- MiniQuick technology for time-saving axial contacting
- Gold plated contacts

Technical data

General specifications

Number of pins	4
Connection 1	Male connector
Construction type 1	right angle
Threading 1	M8

Electrical specifications

Rated operational voltage	U_e	36 V
Operating voltage	U_B	max. 30 V AC/DC
Test voltage		900 V _{eff}
Operating current		max. 3 A (2 A at 0.14 mm ²)
Volume resistance		< 5 mΩ

Ambient conditions

Ambient temperature	-25 ... 70 °C (-13 ... 158 °F)
Pollution Degree	3

Mechanical specifications

Protection degree	IP67
Connection	1 x M8 connector, right-angled Insulation piercing technology for 0.14 mm ² ... 0.34 mm ² M9.5 x 1 cable gland
Material	
Contacts	CuZn
Contact surface	Au
Body	PA, black
Seal	NBR
Cable	
Sheath diameter	4 ... 5 mm
Flammability	
Contact material	94 V-2
Housing	94 V-2

Electrical connection

