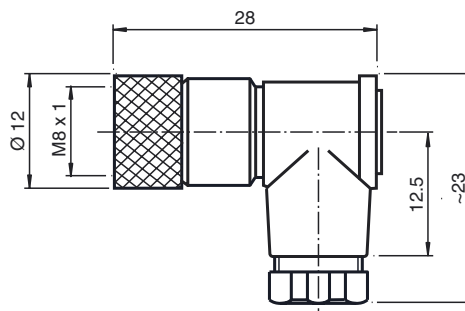




## Dimensions



## Model Number

**V31-WM**

Female connector, M8, 4-pin, field attachable

## Features

- Solder connection
- Gold plated contacts

## Technical data

### General specifications

Number of pins	4
Connection 1	female connector
Construction type 1	right angle
Threading 1	M8

### Electrical specifications

Operating voltage	$U_B$	max. 30 V AC/DC
Operating current		max. 4 A
Volume resistance		< 3 m $\Omega$

### Ambient conditions

Ambient temperature	-25 ... 70 °C (-13 ... 158 °F)
Pollution Degree	3

### Mechanical specifications

Protection degree	IP67
Connection	1 x M8 socket, right-angled Solder connection for max. 0.25 mm <sup>2</sup>

### Material

Contacts	CuSn
Contact surface	Au
Body	PA, black
Slotted nut	Diecast zinc
Cable	
Sheath diameter	3.5 ... 5 mm
Flammability	
Contact material	UL 94 HB

## Electrical connection

