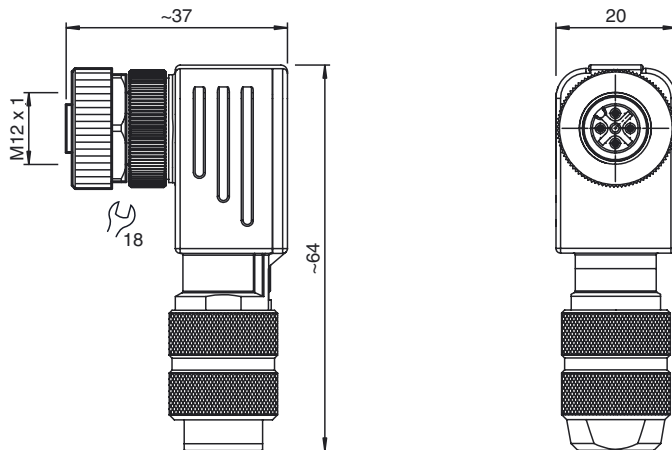


## Dimensions



## Model Number

**V19-W-ABG-PG9**

Cable socket, M12, 8-pin, shielded, non pre-wired

## Features

- Screw terminal connection
- Metal locking
- Metal housing
- Iris spring screening
- Gold plated contacts

## Technical data

### General specifications

Number of pins	8
Connection 1	female connector
Construction type 1	right angle
Threading 1	M12

### Electrical specifications

Operating voltage	$U_B$	max. 30 V AC/DC
Operating current		max. 2 A
Volume resistance		< 3 m $\Omega$

### Ambient conditions

Ambient temperature	-40 ... 85 °C (-40 ... 185 °F)
Pollution Degree	3

### Mechanical specifications

Protection degree	IP67
Connection	Screw terminals for max. 0.75 mm <sup>2</sup> PG9 cable gland

### Material

Contacts	CuZn
Contact surface	Au
Body	Zinc die-casting, nickel-plated
Slotted nut	Zinc die-casting, nickel-plated
Cable	
Sheath diameter	5 ... 8 mm

## Electrical connection

