

Model Number

RLK29-55-5060

Retroreflective sensor

With terminal compartment; with mounting materials

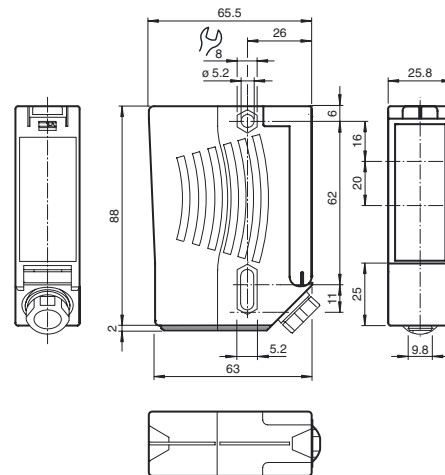
Features

- Robust, compact photoelectric sensor for single-beam gate protection
- High detection ranges achievable
- 2500 V Proof voltage between the relay connection terminals and the device electronics
- Not sensitive to ambient light, even with energy saving lamps
- Version with accessories in scope of delivery

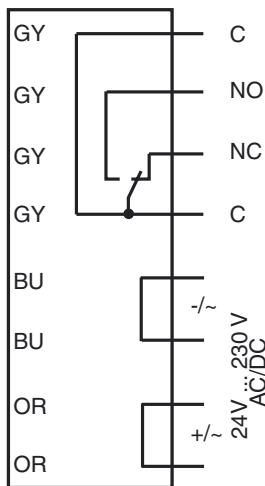
Product information

Series 29 is a range of low-cost and, most importantly, reliable photoelectric sensors for monitoring industrial doors, elevators, and automatic gates. Their high degree of protection makes them the ideal solution for tasks outdoors and at thresholds, and in harsh environments. These "universal-voltage sensors" can be operated with any supply voltage from 24 V to 240 V, and with direct current or alternating current.

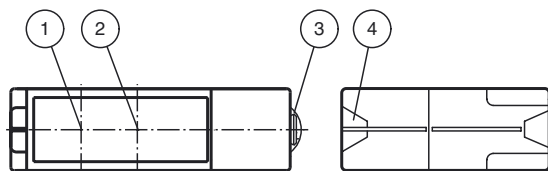
Dimensions



Electrical connection



Indicators/operating means



| | | |
|---|--------------------|--------|
| 1 | Emitter | |
| 2 | Receiver | |
| 3 | Dovetail mount | |
| 4 | Functional display | yellow |

Release date: 2014-06-18 09:44 Date of issue: 2014-06-18 232252_eng.xml

Refer to "General Notes Relating to Pepperl+Fuchs Product Information".

Pepperl+Fuchs Group
www.pepperl-fuchs.com

USA: +1 330 486 0001
fa-info@us.pepperl-fuchs.com

Germany: +49 621 776 4411
fa-info@de.pepperl-fuchs.com

Singapore: +65 6779 9091
fa-info@sg.pepperl-fuchs.com

Technical data**General specifications**

| | |
|----------------------------|---|
| Effective detection range | 0 ... 12 m |
| Reflector distance | 0.04 ... 12 m |
| Threshold detection range | 14 m |
| Reference target | reflector C110-2 Diameter: 84 mm , included with delivery |
| Light source | LED |
| Light type | modulated visible red light , 640 nm |
| Diameter of the light spot | approx. 35 mm at a distance of 12 m |
| Angle of divergence | ± 1 ° |
| Ambient light limit | 90000 Lux |

Functional safety related parameters

| | |
|--------------------------------|--------|
| MTTF _d | 1460 a |
| Mission Time (T _M) | 20 a |
| Diagnostic Coverage (DC) | 0 % |

Indicators/operating means

| | |
|--------------------|--|
| Function indicator | LED red illuminates: when beam is free flashes: when level falls below function reserve off: when beam is interrupted |
|--------------------|--|

Electrical specifications

| | | |
|------------------------|----------------|---|
| Operating voltage | U _B | 24 ... 230 V AC/DC |
| Ripple | | 10 % |
| No-load supply current | I ₀ | ≤ 8.5 mA |
| Power consumption | P ₀ | 0.2 W at 24 V DC , 1.8 W at 230 V AC 3 VA |

Output

| | | |
|---------------------|---------------------|-------|
| Switching type | light on | |
| Signal output | Relay, 1 alternator | |
| Switching voltage | 230 V AC | |
| Switching current | max. 2 A | |
| Switching frequency | f | 7 Hz |
| Response time | | 50 ms |

Ambient conditions

| | |
|---------------------|--------------------------------|
| Ambient temperature | -20 ... 60 °C (-4 ... 140 °F) |
| Storage temperature | -30 ... 70 °C (-22 ... 158 °F) |

Mechanical specifications

| | |
|----------------------|--|
| Degree of protection | IP67 |
| Connection | terminal compartment |
| Material | |
| Housing | Plastic ABS, flame resistant |
| Optical face | plastic |
| Mass | approx. 200 g |
| Note | Safety fuse ≤ 2 A (slow-blow) according to IEC 60127-2 Sheet 1 Recommendation: after a short circuit, check that the device is functioning correctly. |

Compliance with standards and directives

| | |
|---------------------|---|
| Standard conformity | |
| Product standard | EN 60947-5-2:2007 IEC 60947-5-2:2007 |

Approvals and certificates

| | |
|---------------|--|
| CE conformity | yes |
| UL approval | cULus Listed Caution: This equipment is considered as open-type equipment. It must be mounted within an enclosure, that is suitably designed for protection against internal fire and personal injury resulting from accessibility to live parts according UL 508. |
| CCC approval | Certified by China Compulsory Certification (CCC) |

Typical applications

- Monitoring closing edges of automatic industrial doors and elevators
- Monitoring the swing range of automatic gates
- Detecting and tracking objects in material handling

Detection area**Accessories****OMH-RLK29**

Mounting bracket

OMH-RLK29-HW

Mounting bracket for rear wall mounting

OMH-21

Mounting bracket

OFR-100/100

Reflective tape 100 mm x 100 mm

REF-C110-2

Reflector, round ø 84 mm, central mounting hole

REF-H180

Reflector, rectangular 180 mm x 40 mm, mounting holes

REF-H160

Reflector, rectangular 60 mm x 18 mm, mounting holes

REF-H85-2

Reflector, rectangular 84.5 mm x 84.5 mm, mounting holes

REF-H60-2

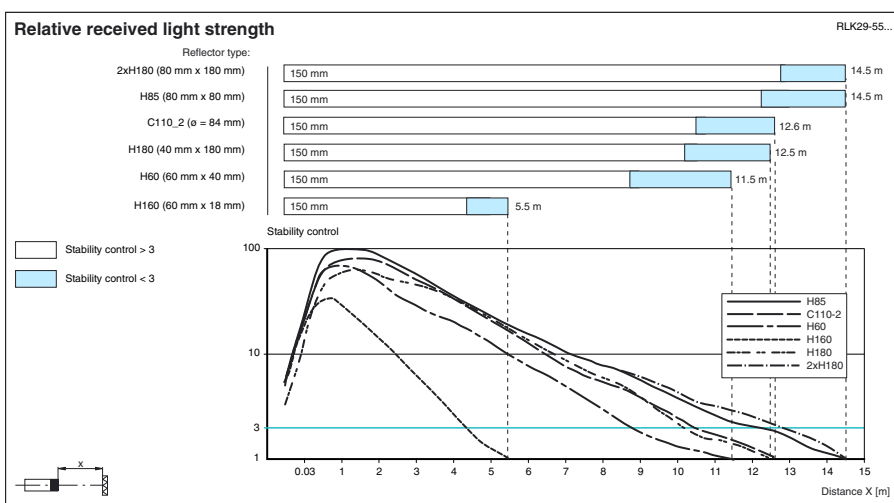
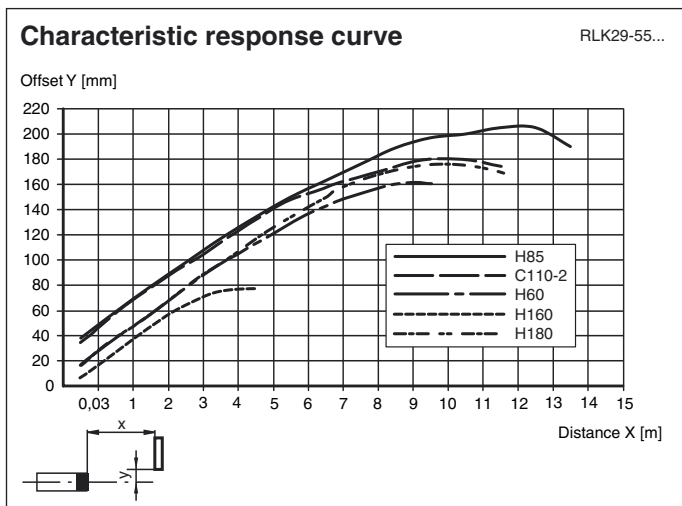
Reflector with mounting holes

REF-H50

Reflector, rectangular 51 mm x 61 mm, mounting holes, fixing strap

Other suitable accessories can be found at www.pepperl-fuchs.com

Curves/Diagrams



Release date: 2014-06-18 09:44 Date of issue: 2014-06-18 232252_eng.xml

Refer to "General Notes Relating to Pepperl+Fuchs Product Information".

Pepperl+Fuchs Group
www.pepperl-fuchs.com

USA: +1 330 486 0001
fa-info@us.pepperl-fuchs.com

Germany: +49 621 776 4411
fa-info@de.pepperl-fuchs.com

Singapore: +65 6779 9091
fa-info@sg.pepperl-fuchs.com