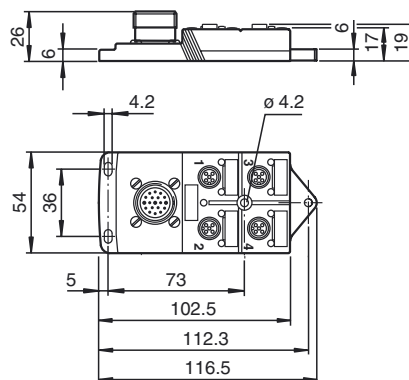




Dimensions



Model Number

V1-4/8A-E2-M23

Splitter box quadruple, twin configuration, with M23 connector

Features

- Fast, flexible installation/separation
- Twin communication of the plug-in stations
- LED indicator for module supply and I/O status
- Degree of protection IP67

Accessories

VAZ-V1-B3

Blind plug for M12 sockets

MH 05-SACB-4

Mounting aid for DIN rail

MH V1-SCREWDRIVER

torque screwdriver (0.4 Nm)

MH V1-BIT M12

plug-in cap M12

V23-G-5M-PUR

Female cordset, M23, 12-pin, PUR cable

V23-G-10M-PUR

Female cordset, M23, 12-pin, PUR cable

Technical data

General specifications

Number of pins 4

Indicators/operating means

LED green supply voltage each module
LED yellow I/O status indication

Electrical specifications

Operating voltage U_B 24 V DC, max. 30 V DC
Operating current I_B ≤ 5 mA per channel indication element
Current loading capacity ≤ 2 A per channel,
 ≤ 4 A per plug-in station,
 ≤ 12 A total current per separator

Ambient conditions

Ambient temperature $-20 \dots 75$ °C ($-4 \dots 167$ °F)

Mechanical specifications

Connection type 4 x socket M12 x 1 5-pin
1 x Male connector M23

Degree of protection IP65/IP67

Material

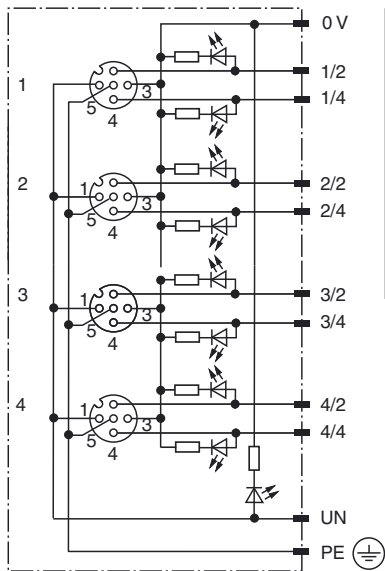
Contacts CuSn
Contact surface Ni/Au
Housing PA
Seal O-ring: NBR
Mass approx. 100 g
Flammability 94 V-0

Compliance with standards and directives

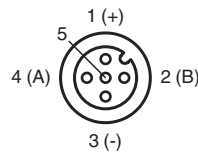
Standard conformity
Degree of protection EN 60529

Release date: 2014-10-30 11:58 Date of issue: 2015-02-05 232959_eng.xml

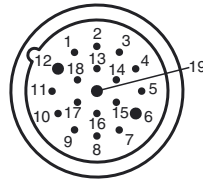
Electrical connection



Slot/Pin (signal)	Pin M23
1 / 4 (A)	15
1 / 2 (B)	7
2 / 4 (A)	5
2 / 2 (B)	4
3 / 4 (A)	16
3 / 2 (B)	8
4 / 4 (A)	3
4 / 2 (B)	14
1-4 / 1 (UN)	19
1-4 / 3 (0 V)	6
1-4 / (PE)	12



M12 socket
2 signals per port



M23 connector
19 pin