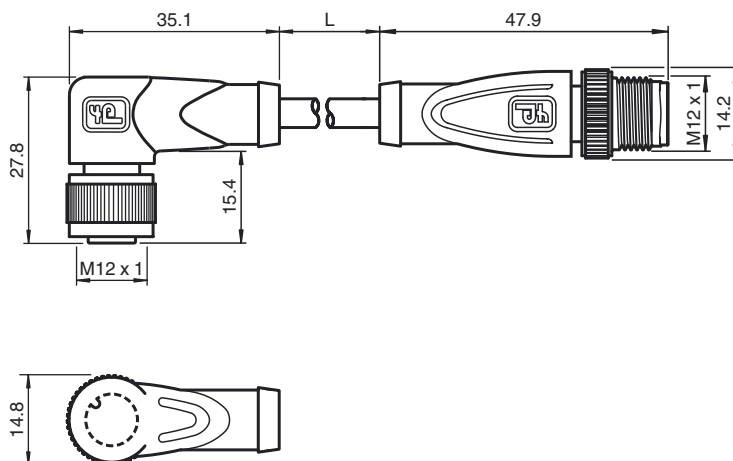




Dimensions



Model Number

V1-W-OR2,5M-POC-V1-G

Connection cable, M12 to M12, 4-pin, TPE cable, welding-bead resistant

Features

- Resistant to welding bead formation
- Suitable for robotic applications / torsion resistant
- Does not give off silicone
- Ozone resistant
- Knurled nut suitable for tool assembly
- Immunity to vibration, with mechanical latching
- Gold-plated and machined contacts
- Protection degree IP67 / IP68 / IP69K

Technical data

General specifications

| | |
|---------------------|----------------|
| Number of pins | 4 |
| Connection 1 | socket |
| Construction type 1 | right angle |
| Threading 1 | M12 |
| Connection 2 | Male connector |
| Construction type 2 | straight |
| Threading 2 | M12 |

Electrical specifications

| | | |
|--------------------|-------|------------------|
| Operating voltage | U_B | max. 250 V AC/DC |
| Operating current | | max. 4 A |
| Contact resistance | | < 10 mΩ |

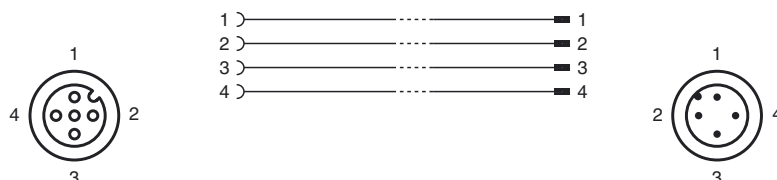
Ambient conditions

| | |
|---------------------|--|
| Ambient temperature | Body: -40 ... 90 °C (-40 ... 194 °F) Cable, flexing: -15 ... 120 °C (5 ... 248 °F) for 20000 h -15 ... 150 °C (5 ... 302 °F) for 3000 h cable, fixed: -40 ... 120 °C (-40 ... 248 °F) for 20000 h -40 ... 150 °C (-40 ... 302 °F) for 3000 h |
| Pollution Degree | 3 |

Mechanical specifications

| | |
|------------------------|---|
| Contact elements | spring-loaded contact socket |
| Pin diameter | 1 mm |
| Protection degree | IP67 / IP68 / IP69K |
| Material | |
| Contacts | CuSn / Au |
| Contact surface | Au |
| Body | TPU, green |
| Cable | TPE resistant to welding bead formation |
| Slotted nut | Diecast zinc |
| Sleeve connector | Diecast zinc |
| Core insulation | ETFE |
| Cable | fine-strand, flexible |
| Sheath diameter | Ø 4.8 mm |
| Bending radius | > 10 x cable diameter, moving |
| Color | orange |
| Cores | 4 x 0.34 mm ² |
| Conductor construction | 19 x 0.16 mm Ø |
| Length | L 2.5 m |
| Flammability | |
| Contact material | 94 HB |
| Housing | 94 V-2 |
| Cable | flame-resistant |

Electrical connection



Release date: 2013-08-13 16:38 Date of issue: 2013-08-13 233480_eng.xml



Compliance with standards and directives

| | |
|---------------------|---|
| Standard conformity | |
| Protection degree | EN 60529:2000 |
| Standards | IEC 61076-2-101:2008 |
| Flammability | Body: UL 94 Line: UL 1581 Section 1061; IEC 60332-1-2:2004 |

Release date: 2013-08-13 18:38 Date of issue: 2013-08-13 233480_eng.xml