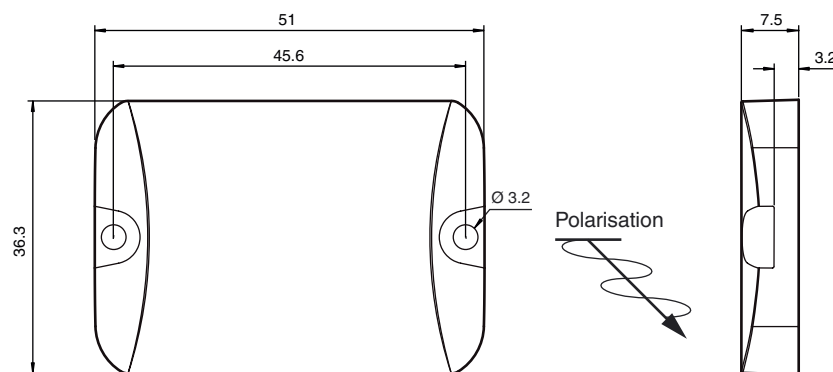




Dimensions



Model Number

IUC76-F157-M-FR1

Data carrier

Features

- Operating frequency 865 ... 868 MHz
- Complies with EPC Gen2 (ISO/IEC 18000-63)
- Sturdy housing, suitable for rough industrial use
- Optimized for mounting on metal

Technical data

General specifications

Operating frequency	865 ... 868 MHz
Polarization	linear

Memory

Chip Type	Higgs-3 (Alien)
Capacitance	96 Bit EPC, 512 Bit expanded memory, unique 64 bit fixcode (TID) available
Read cycles	unlimited
Write cycles	100000
Data retention period	50 years @ 77 °C (170.6 °F)

Ambient conditions

Ambient temperature	-30 ... 85 °C (-22 ... 185 °F)
Storage temperature	-40 °C ... 100 °C (-40 °F ... 212 °F) 30 minutes at 250 °C (dry heat) for 600 test cycles, 1 hour cooling 500 hours at 220 °C
Shock and impact resistance	3 ft (1m) to concrete up to 200 cycles

Mechanical specifications

Degree of protection	IP68
Material	
Housing	PA 6
Installation	preferably mountable on metal
Mass	29 g

Compliance with standards and directives

Directive conformity	
R&TTE Directive 1995/5/EC	EN 302208-2:2011 V1.4.1
Standard conformity	
Electromagnetic compatibility	EN 302208-2:2011 V1.4.1
Degree of protection	EN 60529:2000
RFID	ISO/IEC 18000-63:2013