



### Model Number

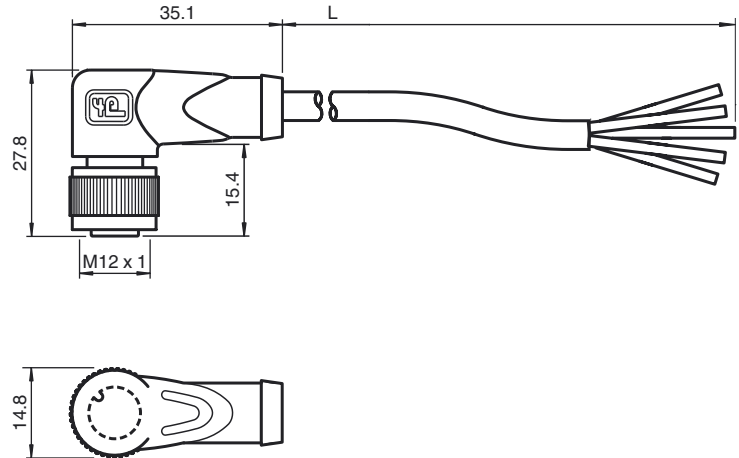
**V15-W-20M-PVC**

Female cordset, M12, 5-pin, PVC cable

### Features

- Knurled nut suitable for tool assembly
- Immunity to vibration, with mechanical latching
- Gold plated contacts
- Degree of protection IP67 / IP68 / IP69K

### Dimensions



### Technical data

#### General specifications

Number of pins 5

#### Electrical specifications

Operating voltage  $U_B$  max. 60 V AC/DC  
 Operating current  $I_B$  max. 4 A  
 Volume resistance  $< 5 \text{ m}\Omega$

#### Ambient conditions

Ambient temperature Body:  $-40 \dots 90 \text{ }^\circ\text{C}$  ( $-40 \dots 194 \text{ }^\circ\text{F}$ )  
 cable, fixed:  $-25 \dots 70 \text{ }^\circ\text{C}$  ( $-13 \dots 158 \text{ }^\circ\text{F}$ )  
 cable, flexing:  $-5 \dots 70 \text{ }^\circ\text{C}$  ( $23 \dots 158 \text{ }^\circ\text{F}$ )

Pollution Degree 3

#### Mechanical specifications

Contact elements spring-loaded contact socket  
 Pin diameter 1 mm  
 Degree of protection IP67 / IP68 / IP69k

#### Material

Contacts CuSn / Au  
 Contact surface Au  
 Body TPU, black  
 Cable PVC  
 Slotted nut Diecast zinc  
 Core insulation PVC  
 Cable fine-strand, flexible  
 Sheath diameter  $\text{\O} 4.8 \text{ mm}$   
 Bending radius  $> 10 \times \text{cable diameter, moving}$   
 Color grey  
 Cores  $5 \times 0.34 \text{ mm}^2$   
 Conductor construction  $19 \times 0.15 \text{ mm } \text{\O}$   
 Length L 20 m

#### Flammability

Contact material 94 HB  
 Housing 94 V-2

#### Compliance with standards and directives

Standard conformity  
 Degree of protection EN 60529:2000  
 Standards IEC 61076-2-101:2008

### Electrical connection

