



Model Number

ML300-8-1200-IR/25/115/127

Diffuse mode sensor
with 2 m fixed cable

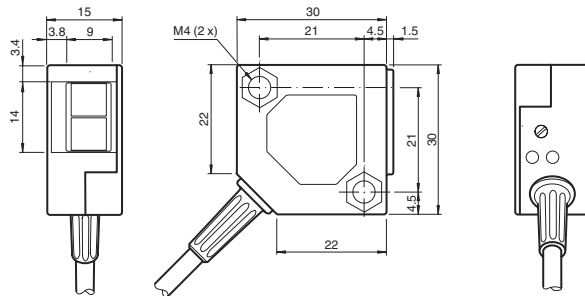
Features

- Miniature design
- Easy to use
- Infrared light
- High operating range
- 45° cable connector

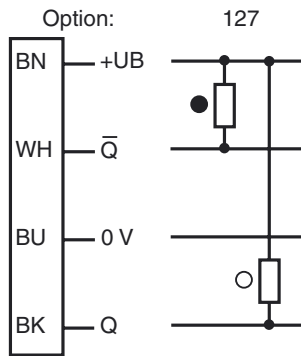
Product information

The ML300 series has a robust miniature housing and all the standard functional principles. Of particular note are the sensors with analog output, which return a value proportional to the distance. The 45° plug/cable connection ensures flexible mounting. An LED indicates a weak signal, e.g. due to dirt.

Dimensions

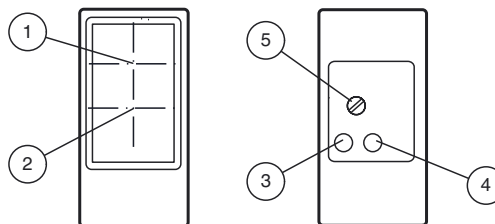


Electrical connection



- = Light on
- = Dark on

Indicators/operating means



1	Receiver	
2	Emitter	
3	Switching state	yellow
4	Stability control	green
5	Sensing range adjuster	

Release date: 2015-02-05 12:18 Date of issue: 2015-02-12 238224_eng.xml

Refer to "General Notes Relating to Pepperl+Fuchs Product Information".

Pepperl+Fuchs Group
www.pepperl-fuchs.com

USA: +1 330 486 0001
fa-info@us.pepperl-fuchs.com

Germany: +49 621 776 4411
fa-info@de.pepperl-fuchs.com

Singapore: +65 6779 9091
fa-info@sg.pepperl-fuchs.com

Technical data**General specifications**

Detection range	0 ... 1200 mm , adjustable
Adjustment range	250 ... 1200 mm
Reference target	standard white 200 mm x 200 mm
Light source	IREL
Light type	modulated infrared light , 880 nm
Diameter of the light spot	approx. 160 mm at a distance of 1200 mm
Angle of divergence	approx. 8 °
Ambient light limit	
Continuous light	10000 Lux
Modulated light	5000 Lux
Accessories provided	Mounting bracket OMH-ML300-01 Screwdriver

Indicators/operating means

Function indicator	LED yellow: lights up when output is active LED green: Sufficient stability control
Control elements	Detection range adjuster

Electrical specifications

Operating voltage	U_B	10 ... 30 V DC
Ripple		max. 20 %
No-load supply current	I_0	max. 20 mA

Output

Switching type	light on / dark on	
Signal output	2 NPN outputs, complementary, short-circuit proof, reverse-polarity protection, open collector	
Switching voltage	max. 30 V DC	
Switching current	max. 0.1 A	
Voltage drop	U_d	≤ 2 V DC
Switching frequency	f	1000 Hz
Response time		0.5 ms

Ambient conditions

Ambient temperature	-25 ... 55 °C (-13 ... 131 °F)
---------------------	--------------------------------

Mechanical specifications

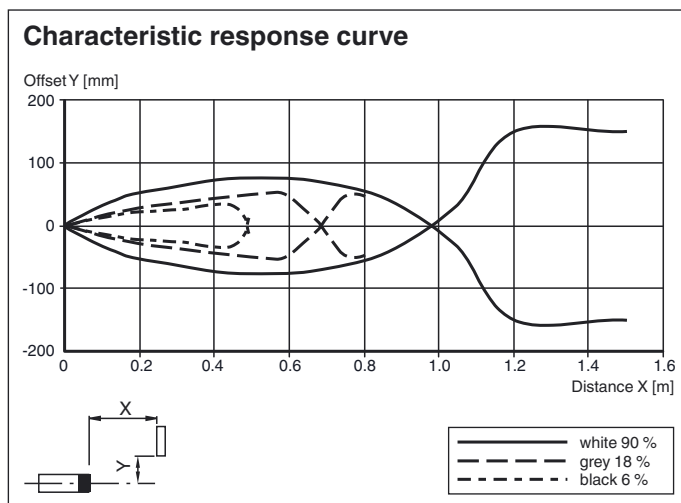
Degree of protection	IP67
Connection	2 m fixed cable
Material	
Housing	PBT
Optical face	glass pane
Cable	PVC
Mass	75 g

Compliance with standards and directives

Directive conformity	
EMC Directive 2004/108/EC	EN 60947-5-2:2007
Standard conformity	
Product standard	EN 60947-5-2:2007 IEC 60947-5-2:2007
Shock and impact resistance	EN 60947-5-7 30 g, 11 ms, all axes
Vibration resistance	EN 60947-5-7, 10–55 Hz/1.5 mm amplitude, all axes

Approvals and certificates

CCC approval	CCC approval / marking not required for products rated ≤ 36 V
--------------	--

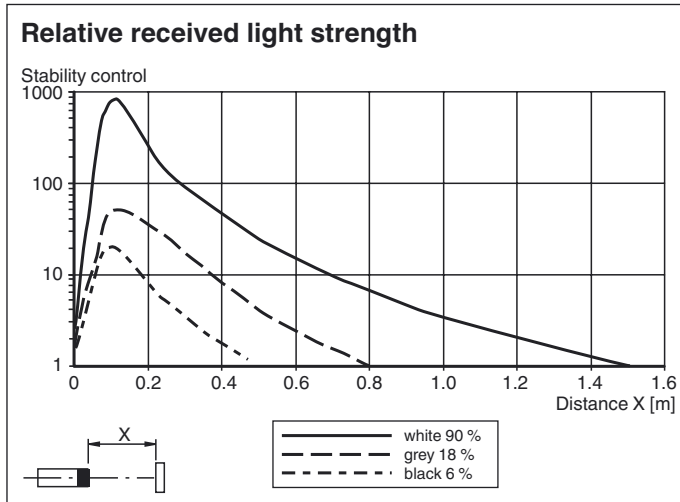
Curves/Diagrams**Accessories****OMH-ML300-01**

Bracket for mounting ML300 series sensors

OMH-ML300-02

Bracket for mounting ML300 series sensors on a 35 mm DIN rail

Other suitable accessories can be found at www.pepperl-fuchs.com



Release date: 2015-02-05 12:18 Date of issue: 2015-02-12 238224_eng.xml

Refer to "General Notes Relating to Pepperl+Fuchs Product Information".

Pepperl+Fuchs Group
www.pepperl-fuchs.com

USA: +1 330 486 0001
fa-info@us.pepperl-fuchs.com

Germany: +49 621 776 4411
fa-info@de.pepperl-fuchs.com

Singapore: +65 6779 9091
fa-info@sg.pepperl-fuchs.com