



Model Number

UC2000-30GM70S-2E2R2-V15

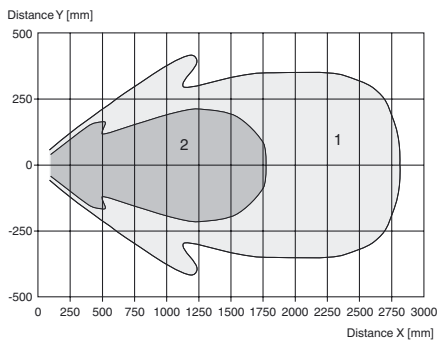
Ultrasonic diffuse sensor with pivoting transducer

Features

- 2 switch outputs
- Synchronization options
- Temperature compensation
- Can be parameterized via the ULT-RA-PROG-IR software and interface (accessories)

Diagrams

Characteristic response curve



Curve 1: flat surface 100 mm x 100 mm
Curve 2: round bar, Ø 25 mm

Technical data

General specifications

| | |
|-----------------------|-----------------|
| Sensing range | 100 ... 2000 mm |
| Adjustment range | 150 ... 2000 mm |
| Unusable area | 0 ... 100 mm |
| Standard target plate | 100 mm x 100 mm |
| Transducer frequency | approx. 200 kHz |
| Response delay | ≤ 100 ms |

Nominal ratings

| | |
|--------------------------------------|-------------------------------|
| Temperature drift | ≤ ± 1.5 % of full-scale value |
| Time delay before availability t_v | ≤ 125 ms |

Limit data

| | |
|--------------------------|------------|
| Permissible cable length | max. 300 m |
|--------------------------|------------|

Indicators/operating means

| | |
|------------------|--|
| LED yellow | solid Switching state switch output 1 |
| LED green/yellow | yellow: switching state switch output 2 green: Teach-In |
| Potentiometer | Switching output 1 and Switching output 2 adjustable |

Electrical specifications

| | |
|-------------------------------|-----------------------------------|
| Rated operating voltage U_o | 24 V DC |
| Operating voltage U_B | 12 ... 30 V DC (including ripple) |
| Ripple | ≤ 10 % |
| No-load supply current I_o | ≤ 50 mA |

Interface

| | |
|----------------|---------------------------|
| Interface type | Infrared |
| Mode | point-to-point connection |

Input/Output

| | |
|-------------------|---|
| Input/output type | 1 synchronization connection, bidirectional (Factory setting: synchronized mode) / Teach-In input |
| 0 Level | ≤ 3 V |
| 1 Level | ≥ 15 V |
| Input impedance | typ. 900 Ω |
| Number of sensors | max. 10 |

Switching output

| | |
|-------------------------|--|
| Output type | 2 switch outputs PNP, NO (NC contact programmable) |
| Default setting | 150 ... 2000 mm (adjustable via potentiometer) |
| Repeat accuracy | ± 3 mm |
| Operating current I_L | Per 150 mA , short-circuit/overload protected |
| Switching frequency | ≤ 4 Hz |
| Switching hysteresis | 20 mm (programmable) |
| Voltage drop | ≤ 3 V |
| Off-state current | ≤ 10 μA |

Ambient conditions

| | |
|----------------------|---------------------------------|
| Ambient temperature | -25 ... 70 °C (-13 ... 158 °F) |
| Storage temperature | -40 ... 85 °C (-40 ... 185 °F) |
| Shock resistance | 30 g , 11 ms period |
| Vibration resistance | 10 ... 55 Hz , Amplitude ± 1 mm |

Mechanical specifications

| | |
|-----------------------|--|
| Connection type | Connector M12 x 1 , 5-pin |
| Protection degree | IP65 |
| Material | |
| Housing | brass, nickel-plated |
| Transducer | epoxy resin/hollow glass sphere mixture; polyurethane foam |
| Installation position | any position |
| Mass | 170 g |
| Construction type | Cylindrical |

Compliance with standards and directives

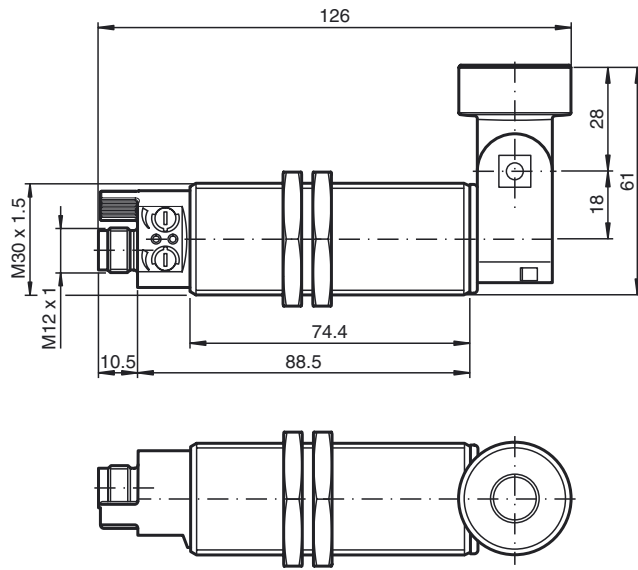
| | |
|---------------------|---|
| Standard conformity | |
| Standards | EN 60947-5-2:2007 IEC 60947-5-2:2007 |

Approvals and certificates

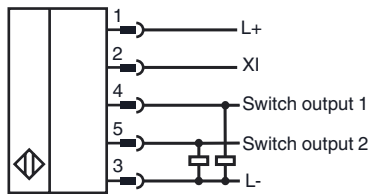
| | |
|--------------|--|
| UL approval | cULus Listed, General Purpose |
| CSA approval | cCSAus Listed, General Purpose |
| CCC approval | CCC approval / marking not required for products rated ≤36 V |

Release date: 2012-05-14 11:21 Date of issue: 2013-10-25 236380_eng.xml

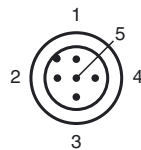
Dimensions



Electrical Connection



Pinout



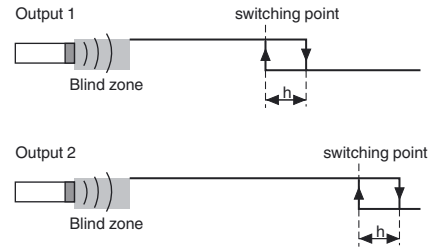
Wire colors in accordance with EN 60947-5-2

| | | |
|---|----|---------|
| 1 | BN | (brown) |
| 2 | WH | (white) |
| 3 | BU | (blue) |
| 4 | BK | (black) |
| 5 | GY | (gray) |

Additional Information

Switching outputs operating mode

Switching output mode



Release date: 2012-05-14 11:21 Date of issue: 2013-10-25 236380_eng.xml

Accessories

BF 30

Mounting flange, 30 mm

BF 5-30

Universal mounting bracket for cylindrical sensors with a diameter of 5 ... 30 mm

V15-G-2M-PUR

Female cordset, M12, 5-pin, PUR cable

V15-W-2M-PUR

Female cordset, M12, 5-pin, PUR cable

UC-18/30GM-IR

Interface cable

ULTRA-PROG-IR

Configuration software for ultrasonic sensors

Description of Sensor Functions

Displays and Controls

The sensor has two potentiometers and two display LEDs.

| | | |
|-----------------|--|--|
| LED 1 (yellow) | On/off: Switching state of switching output 1 Flashing: Error when setting the switching points (switching point 2 < switching point 1). This state only occurs in window function operating mode (2 switching points). | |
| LED 2 (yellow) | On/off: Switching state of switching output 2 Flashing: Error when setting the switching points (switching point 2 < switching point 1). This state only occurs in window function operating mode (2 switching points). | |
| LED 2 (green) | approx. 500 ms on: Range limit taught in Off: Normal mode | |
| Potentiometer 1 | Setting a switching point (Default setting: Setting the switching point of switching output 1) | |
| Potentiometer 2 | Setting a switching point (Default setting: Setting the switching point of switching output 2) | |

Setting the Sensor Using the Potentiometers

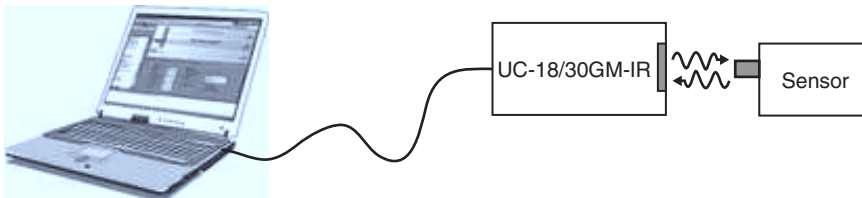
The sensor is equipped with two potentiometers. These potentiometers are assigned to the two switching outputs by default. The switching outputs operate in switching point mode by default. Potentiometer P1 is used to set the switching point on switching output 1. Potentiometer P2 is used to set the switching point on switching output 2.

Note:

The function of the potentiometer can be altered using the ULTRA-PROG-IR software. As soon as a configuration has been changed, the potentiometer function selected using ULTRA-PROG-IR is activated.

Parameterization via ULTRA-PROG-IR

In order to be able to set the sensor parameters and adjust the sensor to the respective application, the sensor is able to communicate with a PC via the integrated infrared interface. The UC-18/30GM-IR interface cable is required to allow communication via this method. This cable is connected to an unused USB port on the PC.



The ULTRA-PROG-IR parameterization software is also required for setting the sensor parameters. The ULTRA-PROG-IR software can be downloaded for free from the www.pepperl-fuchs.com website. The software allows all open parameters to be set, including:

- All trip points and switching hystereses
- Output modes and behaviors
- Delay times
- Settings and setting ranges of the potentiometer
- Settings for teach-in and synchronization
- Definition of blind zones
- Sensor modes and measurement methods
- Filtering measurement values

The following service functions are also available:

- Observing and recording measurement values
- Diagnosing interference reflections

Release date: 2012-05-14 11:21 Date of issue: 2013-10-25 236380_eng.xml

Teach-in

The sensor is equipped with a function input (XI). In order to teach in a limit value, this sensor must be parameterized as the Teach-in input using the ULTRA-PROG-IR parameterization software. This parameterization software allows you to specify what limit value is taught in.

Note:

The Teach-in function is not activated when the sensor is delivered.

Description of the Teach-in process:

1. Position an object at the required distance.
2. Connect the Teach-in input to L-.
The green LED lights up briefly after approx. 3 seconds. This indicates that the required distance has been successfully saved.
3. Disconnect the Teach-in input from L-.

Note:

If the Teach-in input remains connected to L-, the Teach-in process is repeated every 3 seconds.

Synchronization

The sensor features a function input (XI). Using the ULTRA-PROG-IR parameterization software, this function input can be configured as a synchronization input to suppress mutual interference from external ultrasonic signals. This is illustrated in the following description.

If the synchronization input is not connected, the sensor operates with internally generated cycle pulses.

External synchronization

The sensor can be synchronized by applying external rectangular pulses. The pulse duration must be $\geq 100 \mu\text{s}$. Each rising pulse edge sends an individual ultrasonic pulse. If the signal at the synchronization input is high, the sensor reverts to the normal, unsynchronized operating mode.

If a low signal is applied to the synchronization input, the sensor switches to standby. In this operating mode, the last recorded output statuses are retained.

Internal synchronization

Common mode operation

Up to ten sensors can be synchronized with each other. To do this, the synchronization inputs of the individual sensors are connected to each other. When configured in this state, all of the sensors send the ultrasonic signals together at the same time. The cycle rate corresponds to the cycle rate of the sensor with the lowest rate.

Multiplex mode

Up to ten sensors can work in multiplex mode; i.e. the sensors send their ultrasonic signals in succession. This prevents the sensor signals interfering with each other. In multiplex mode, the synchronization inputs of all sensors are connected to each other. An address must also be assigned to each sensor using the ULTRA-PROG-IR parameterization software, and the number of sensors to be synchronized must be determined. To start multiplex mode, all sensors are commissioned together by switching on the power supply.