

Model Number

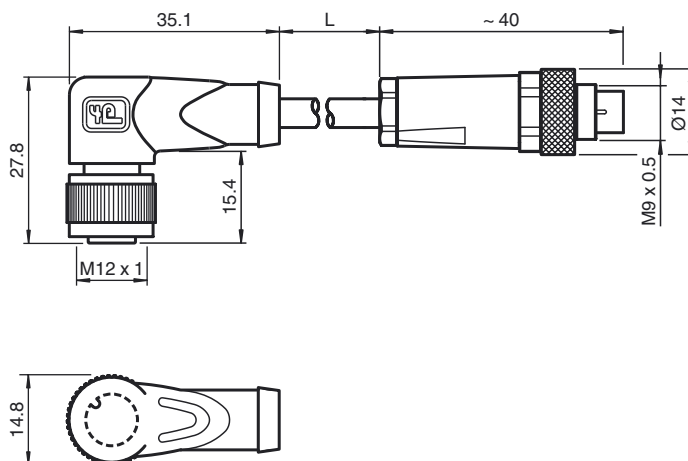
V15-W-0,1M-PUR-ABG-V35-G

Connection cable, M12 to M9, 5-pin,
PUR cable

Features

- Knurled nut suitable for tool assembly
- Immunity to vibration, with mechanical latching
- Gold-plated and machined contacts
- Halogen-free
- EMC shielded

Dimensions



Technical data

General specifications

Number of pins	5 + shield
Connection 1	socket
Construction type 1	right angle
Threading 1	M12
Connection 2	Male connector
Construction type 2	straight
Threading 2	M9

Electrical specifications

Operating voltage	U_B	max. 60 V DC
Operating current		max. 3 A
Volume resistance		< 5 m Ω

Ambient conditions

Ambient temperature	Body: -40 ... 85 °C (-40 ... 185 °F) cable, flexing: -25 ... 100 °C (-13 ... 212 °F) cable, fixed: -25 ... 100 °C (-13 ... 212 °F)
Pollution Degree	3

Mechanical specifications

Contact elements	spring-loaded contact socket	
Pin diameter	1 mm	
Protection degree	IP67	
Material		
Contacts	CuSn / Au	
Contact surface	Au	
Body	TPU, green / brass, nickel-plated	
Cable	PUR	
Slotted nut	Diecast zinc	
Core insulation	PP	
Cable	fine-strand, flexible	
Sheath diameter	Ø 4.8 mm	
Bending radius	> 10 x cable diameter, moving	
Color	grey	
Cores	5 x 0.34 mm ²	
Conductor construction	42 x 0.1 mm Ø	
Shield	grid covering 85 %	
Length	L	0.1 m

Electrical connection

