

Model Number

M7/MV7/59/76a/82b/103/115b

Thru-beam sensor
with 0.2 m fixed cable and 4-pin, M12 connector

Features

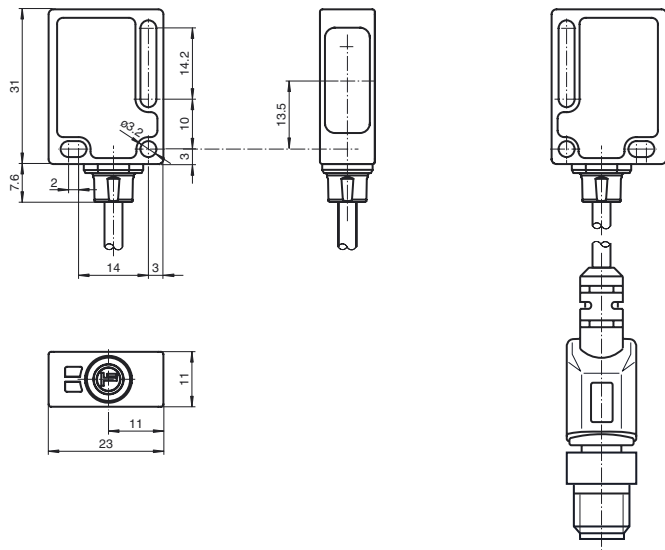
- Reliable sensor for standard applications
- Miniature design with versatile mounting options
- Automatic adjustment of sensitivity via TEACH-IN
- Resistant against noise: reliable operation under all conditions
- Certified by ECOLAB

Product information

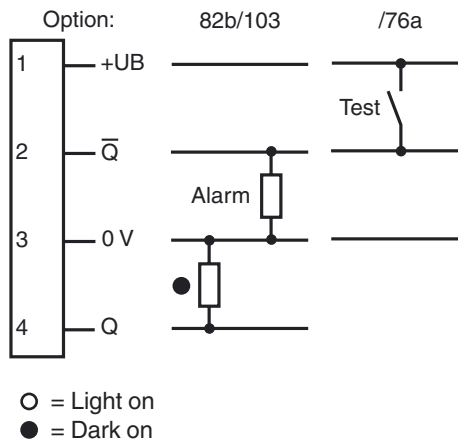
Small, robust, effective, and reliable - these are the properties of the ML7 sensor series. Due to their small size, number of versions, and two different lens positions, they are particularly suited for installation in tight spaces. The robust design and high quality of Pepperl+Fuchs mean they can also be used under harsh environmental conditions. The efficient technology, switching frequencies up to 1000 Hz, high resistance to ambient light, and 4-in-1 output make the series suitable for non-contact object detection.

Release date: 2013-04-18 13:48 Date of issue: 2013-05-13 238952_eng.xml

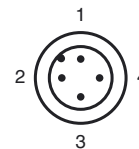
Dimensions



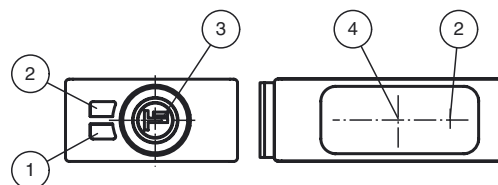
Electrical connection



Pinout



Indicators/operating means



1	Operating display	green
2	Signal display (Receiver)	yellow
3	Teach-In button (Receiver)	
4	Optical center	

Technical data**System components**

Emitter	M7/76a/115b
Receiver	MV7/59/82b/103/115b

General specifications

Effective detection range	0 ... 3.5 m
Threshold detection range	4.5 m
Light source	LED
Light type	modulated visible red light
Target size	min. 7 mm
Diameter of the light spot	approx. 180 mm at a distance of 3.5 m
Angle of divergence	approx. 3 °
Ambient light limit	40000 Lux

Functional safety related parameters

MTTF _d	1130 a
Mission Time (T _M)	20 a
Diagnostic Coverage (DC)	60 %

Indicators/operating means

Operating display	Receiver: LED green, flashes in case of short-circuit Emitter: LED green
Function display	Receiver: LED yellow, lights up when light beam is free, flashes when falling short of the stability control
Controls	Receiver: TEACH-IN key

Electrical specifications

Operating voltage	U _B	10 ... 30 V DC , class 2
Ripple		max. 10 %
No-load supply current	I ₀	Emitter: ≤ 17 mA Receiver: ≤ 15 mA

Input

Test input	emitter deactivation at +U _B
------------	---

Output

Pre-fault indication output	1 PNP, inactive when level falls below function reserve after approx. 5 s. Immediately inactive if the beam is interrupted 4 times during the flashtime.	
Switching type	dark on	
Signal output	1 PNP output, short-circuit protected, reverse polarity protected, open collector	
Switching voltage	max. 30 V DC	
Switching current	max. 100 mA	
Voltage drop	U _d	≤ 1.5 V DC
Switching frequency	f	1000 Hz
Response time		0.5 ms

Ambient conditions

Ambient temperature	-20 ... 60 °C (-4 ... 140 °F)
Storage temperature	-40 ... 75 °C (-40 ... 167 °F)

Mechanical specifications

Protection degree	IP67 / IP69K
Connection	200 mm connecting cable with 4-pin, M12x1 connector
Material	
Housing	PC (glass-fiber-reinforced Makrolon)
Optical face	PMMA
Mass	approx. 100 g (emitter and receiver)

Compliance with standards and directives

Standard conformity	
Product standard	EN 60947-5-2:2007 IEC 60947-5-2:2007
Standards	EN 50178, UL 508

Approvals and certificates

Protection class	II, rated voltage ≤ 250 V AC with pollution degree 1-2 according to IEC 60664-1
UL approval	cULus
CCC approval	CCC approval / marking not required for products rated ≤ 36 V

Accessories**Montagekit OMH-ML7-01**

Mounting set consisting of bracket OMH-ML-01 sheet OMH-ML7-03, and fastening material

Montagekit OMH-ML7-02

Mounting set consisting of bracket OMH-ML-02 sheet OMH-ML7-03, and fastening material

OMH-ML7-01

Mounting bracket

OMH-ML7-02

Mounting bracket

OMH-ML7-03

Fixing plate

V1-G-2M-PUR

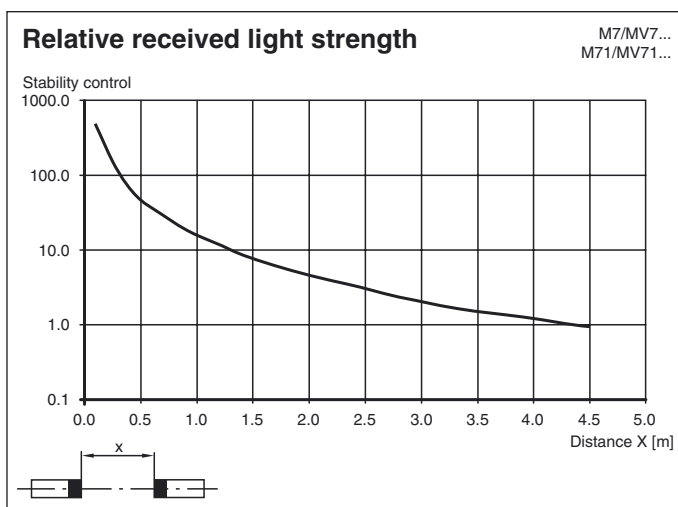
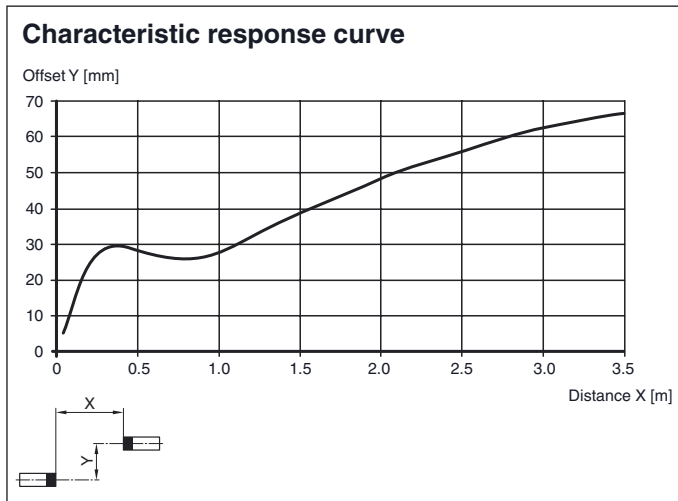
Female cordset, M12, 4-pin, PUR cable

V1-W-2M-PUR

Female cordset, M12, 4-pin, PUR cable

Other suitable accessories can be found at www.pepperl-fuchs.com

Curves/Diagrams



Teach-In

Connect the sensors to operating voltage, the green LEDs green lights up constantly.

The receiver operates at max. sensitivity (delivery status) or with the last taught values.

- Mount transmitter and receiver opposite each other and align roughly.
- Adjust the transmitter to the receiver.
- Press the Teach-In button on the receiver - as an acknowledgement the green LED will quickly turn off one time.
- Press the Teach-In button on the receiver until both LEDs green and yellow are blinking in parallel (2 Hz). Release the Teach-In button now.
- While the green and yellow LEDs are blinking alternating (2 Hz) on the receiver the unit is in the internal set up procedure.
- **Teach-In successful:** Both LEDs green and yellow on the receiver are on. The unit is ready to use and in switching mode now.
- **Teach-In not successful:** Both LEDs on the receiver are flashing alternating (4 Hz) for approx. 5 seconds. Afterwards the sensor returns to max. sensitivity setting. Please retry the Teach-In procedure beginning by step 1.