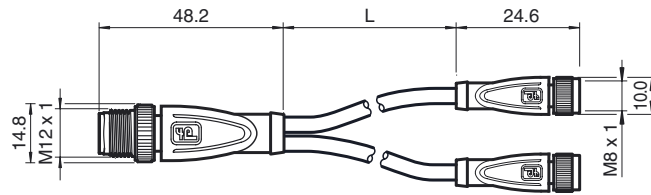




Dimensions



Model Number

V3-GM-0,6M-PUR-T-V1-G

Y connecting cable, M12 to 2 x M8, 3-pin, PUR cable

Features

- Simple assembling of 2 signals to one M12 plug-in station
- Immunity to vibration
- Halogen-free

Technical data

General specifications

Number of pins 3

Electrical specifications

Operating voltage U_B max. 60 V DC
 Operating current max. 4 A
 Volume resistance < 5 m Ω

Ambient conditions

Ambient temperature -5 ... 80 °C (23 ... 176 °F) active
 -25 ... 80 °C (-13 ... 176 °F) static
 Pollution Degree 3

Mechanical specifications

Degree of protection IP65 / IP68 / IP69K
 Connection 1 x M12 connector, straight
 2 x M8 socket, straight

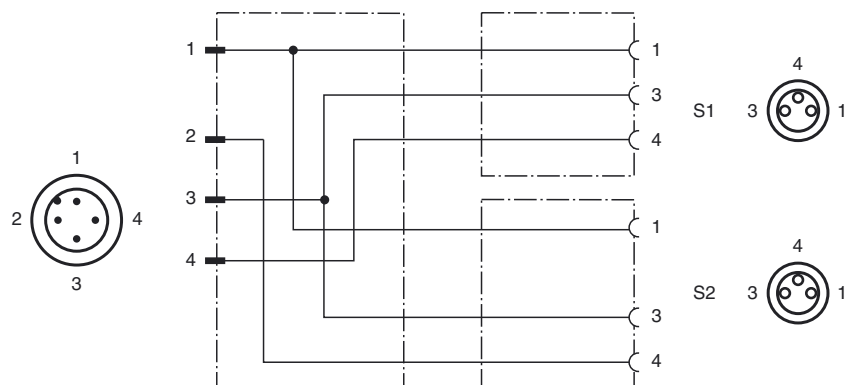
Material

Contacts CuSn
 Contact surface Ni/Au
 Connector TPU
 Body TPU, black
 Cable PUR
 Slotted nut Zinc die-casting, nickel-plated
 Sleeve connector Zinc die-casting, nickel-plated

Cable

Sheath diameter \varnothing 4.4 mm
 Color dark grey (RAL 7021)
 Cores 3 x 0.25 mm²
 Length L 0.6 m

Electrical connection



Release date: 2014-11-04 09:20 Date of issue: 2014-11-04 238983_eng.xml