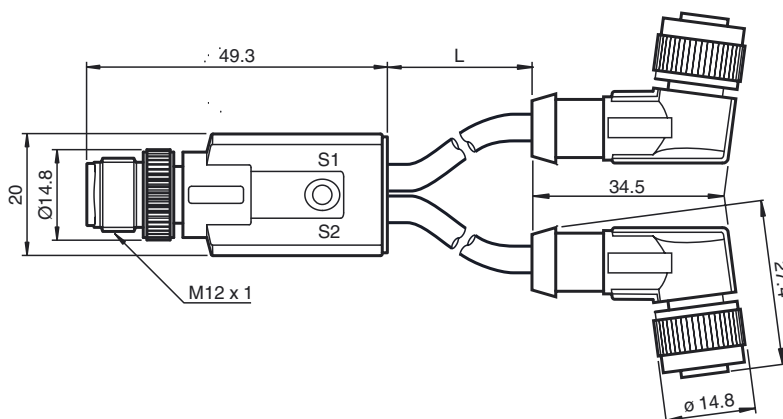




Dimensions



Model Number

V1-W-0,6M-PUR-TV1-G

Y-splitter cordset, M12 to 2 x M12, 3-pin, PUR cable

Features

- Simple assembling of 2 signals to one M12 plug-in station
- Pins 2 and 4 bridged
- Flame resistant cable
- Resistant to microbes and hydrolysis
- Halogen-free
- Does not give off silicone

Technical data

General specifications

| | |
|----------------|---|
| Number of pins | 3 |
|----------------|---|

Electrical specifications

| | | |
|-------------------|----------------|------------------|
| Operating voltage | U _B | max. 250 V AC/DC |
| Operating current | | max. 4 A |
| Volume resistance | | < 5 mΩ |

Ambient conditions

| | |
|---------------------|--|
| Ambient temperature | Body: -25 ... 90 °C (-13 ... 194 °F) cable, fixed: -40 ... 80 °C (-40 ... 176 °F) cable, flexing: -25 ... 80 °C (-13 ... 176 °F) |
|---------------------|--|

Mechanical specifications

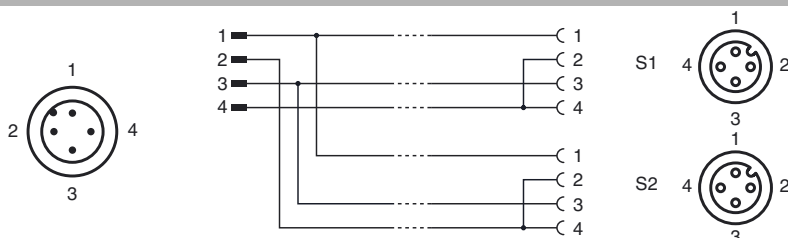
| | |
|----------------------|---|
| Degree of protection | IP65 / IP68 / IP69K |
| Connection | 1 x M12 connector, straight 2 x M12 right-angled sockets |

| | |
|------------------------|--|
| Material | |
| Contacts | CuSn |
| Contact surface | Ni/Au |
| Body | TPU, black |
| Cable | PUR |
| Slotted nut | Zinc die-casting, nickel-plated |
| Sleeve connector | Zinc die-casting, nickel-plated |
| Seal | NBR |
| Core insulation | PP |
| Cable | |
| Sheath diameter | Ø 4.4 mm |
| Bending radius | > 10 x cable diameter, moving > 5 x cable diameter, fixed |
| Color | black |
| Cores | 3 x 0.34 mm ² ; 22 AWG |
| Conductor construction | 42 x 0.1 mm Ø |
| Length | L 0.6 m |

Compliance with standards and directives

| | |
|----------------------------|----------------------|
| Standard conformity | |
| Degree of protection | EN 60529:2000 |
| Standards | IEC 61076-2-101:2008 |

Electrical connection



Release date: 2014-11-04 13:42 Date of issue: 2014-11-04 238985_eng.xml

Refer to "General Notes Relating to Pepperl+Fuchs Product Information".