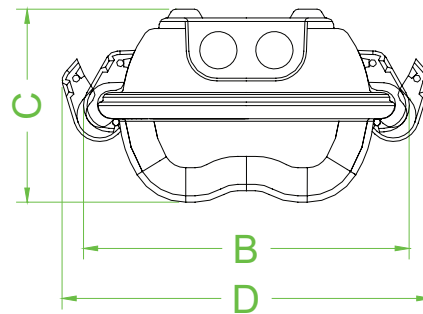
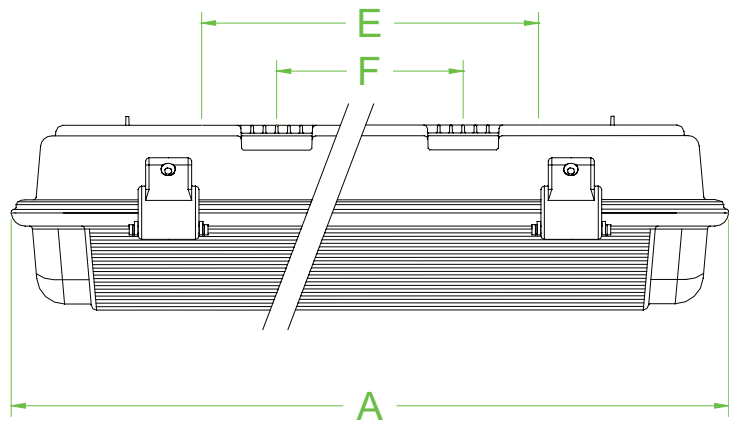




### Dimensions (mm)



### Features

- Power 2 x 11 W
- Installation in Zone 2 and Zone 22
- Electronic HF control gear
- Multiple locking points on diffuser that can be hinged from both sides
- Fast opening and closing of fitting via snap shut fasteners
- Anti-glare diffuser cover
- Stainless steel surface mounting brackets supplied as standard

### Technical data

#### Electrical specifications

Operating voltage	220 ... 240 V 50Hz / 60Hz
Operating current	0.08 A
Terminal capacity	3 x 2.5 mm <sup>2</sup> Connection block suitable for through wiring
Control gear	high frequency electronic ballast
Fitting type	Bulkhead light fitting
Lamps	compact fluorescent lamp
Number of lamps	2
Power	2 x 11 W

#### Conformity

Protection degree	EN 60529
-------------------	----------

#### Ambient conditions

Ambient temperature	-20 ... 40 °C (-4 ... 104 °F)
---------------------	-------------------------------

#### Mechanical specifications

Cover fixing	stainless steel snap shut fasteners
Protection degree	IP66
Cable entry	
Number of cable entries	4 x M20 2 at each end

#### Material

Housing	Polycarbonate
Lamp cover	Polycarbonate
Reflector	0.6 mm Mild steel
Finish	Body: as moulded reflector: epoxy powder coated, white

Seal	polyurethane foam
------	-------------------

Mass	approx. 1.2 kg
------	----------------

#### Dimensions

A	385 mm
---	--------

B	173 mm
C	105 mm
D	230 mm
F	100 mm
Mounting	2 x stainless steel removable mounting brackets
Grounding	Internal connection
<b>Data for application in connection with Ex-areas</b>	
EC-Type Examination Certificate	FTZU 02 ATEX 0144X
Group, category, type of protection, temperature class	⊕ II 3 GD Ex nA tD A II T4 T87°C
<b>General information</b>	
Supplementary information	EC-Type Examination Certificate, Statement of Conformity, Declaration of Conformity, Attestation of Conformity and instructions have to be observed where applicable. For information see <a href="http://www.pepperl-fuchs.com">www.pepperl-fuchs.com</a> .
<b>Accessories</b>	
Designation	1 x nylon non-armoured Ex e cable gland 3 x nylon Ex e sealing plugs