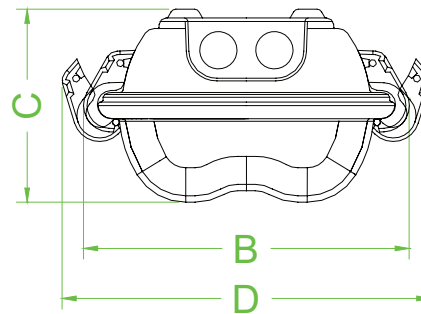
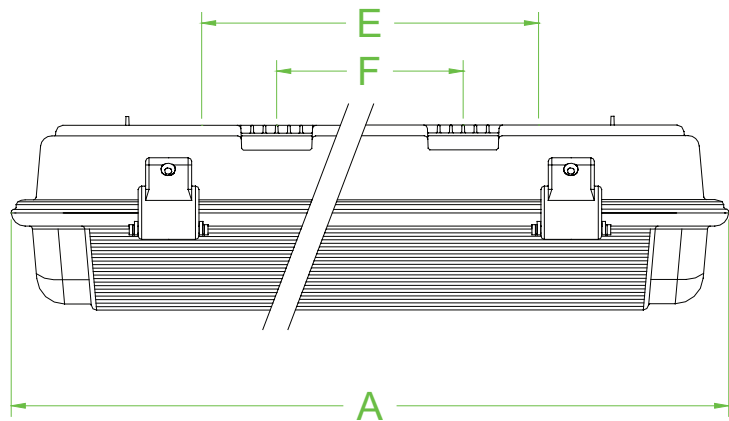




Dimensions (mm)



Features

- Power 11 W
- Installation in Zone 2 and Zone 22
- Electronic HF control gear
- Multiple locking points on diffuser that can be hinged from both sides
- Fast opening and closing of fitting via snap shut fasteners
- Anti-glare diffuser cover
- Stainless steel surface mounting brackets supplied as standard
- Minimum of 3 hour duration in emergency mode
- LED status indication

Technical data

Electrical specifications

Operating voltage	230 V 50Hz
Operating current	0.08 A
Terminal capacity	3 x 2.5 mm ² Connection block suitable for through wiring
Control gear	high frequency electronic ballast
Fitting type	Bulkhead light fitting
Lamps	compact fluorescent lamp
Number of lamps	1
Power	11 W
Emergency operation	non-maintained
Operation time	3 h

Conformity

Protection degree	EN 60529
-------------------	----------

Ambient conditions

Ambient temperature	0 ... 30 °C (32 ... 86 °F)
---------------------	----------------------------

Mechanical specifications

Cover fixing	stainless steel snap shut fasteners
Protection degree	IP66
Cable entry	
Number of cable entries	4 x M20 2 at each end
Material	
Housing	Polycarbonate
Lamp cover	Polycarbonate
Reflector	0.6 mm Mild steel
Finish	Body: as moulded reflector: epoxy powder coated, white
Seal	polyurethane foam
Mass	approx. 1.8 kg

Dimensions	
A	385 mm
B	173 mm
C	105 mm
D	230 mm
F	100 mm
Mounting	2 x stainless steel removable mounting brackets
Grounding	Internal connection
Data for application in connection with Ex-areas	
EC-Type Examination Certificate	FTZU 04 ATEX 0219X
Group, category, type of protection, temperature class	⊕ II 3 GD Ex nR tD A II T6 T45°C
General information	
Supplementary information	EC-Type Examination Certificate, Statement of Conformity, Declaration of Conformity, Attestation of Conformity and instructions have to be observed where applicable. For information see www.pepperl-fuchs.com .
Accessories	
Designation	1 x nylon non-armoured Ex e cable gland 3 x nylon Ex e sealing plugs