



Model Number

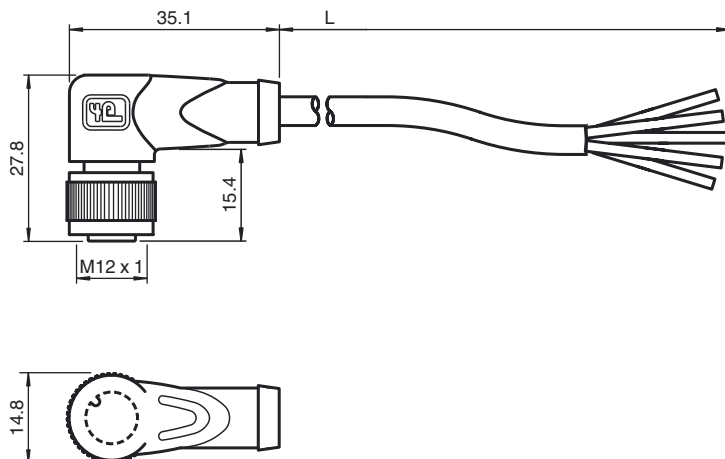
V15-W-13M-PVC

Female cordset, M12, 5-pin, PVC cable

Features

- Immunity to vibration, with mechanical latching
- Knurled nut suitable for tool assembly
- Gold plated contacts
- Degree of protection IP67 / IP68 / IP69K

Dimensions



Technical data

General specifications

Number of pins 5

Electrical specifications

Operating voltage U_B max. 60 V AC/DC
 Operating current I_B max. 4 A
 Volume resistance $< 5 \text{ m}\Omega$

Ambient conditions

Ambient temperature Body: -40 ... 90 °C (-40 ... 194 °F)
 cable, fixed: -25 ... 70 °C (-13 ... 158 °F)
 cable, flexing: -5 ... 70 °C (23 ... 158 °F)

Pollution Degree 3

Mechanical specifications

Contact elements spring-loaded contact socket
 Pin diameter 1 mm
 Degree of protection IP67 / IP68 / IP69k

Material

Contacts CuSn / Au
 Contact surface Au
 Body TPU, black
 Cable PVC
 Slotted nut Diecast zinc
 Core insulation PVC
 Cable fine-strand, flexible
 Sheath diameter $\varnothing 4.8 \text{ mm}$
 Bending radius $> 10 \times \text{cable diameter, moving}$
 Color grey
 Cores $5 \times 0.34 \text{ mm}^2$
 Conductor construction $19 \times 0.15 \text{ mm } \varnothing$
 Length L 13 m

Flammability

Contact material 94 HB
 Housing 94 V-2

Compliance with standards and directives

Standard conformity
 Degree of protection EN 60529:2000
 Standards IEC 61076-2-101:2008

Electrical connection

