



Model Number

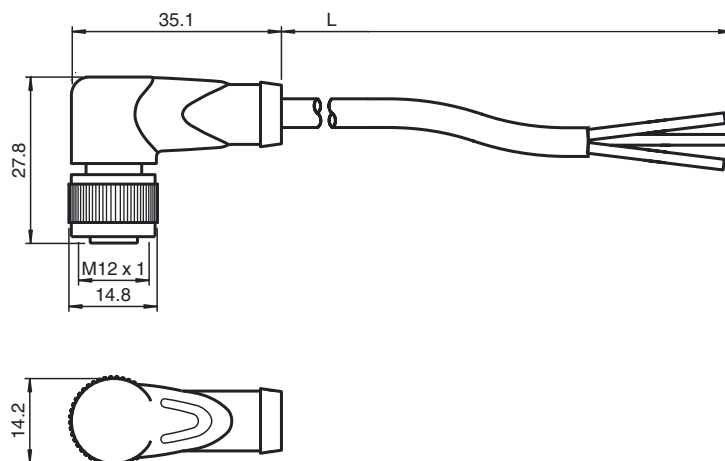
V11-W-BK25M-PUR-U

Female cordset, M12, 3-pin, PUR cable

Features

- Knurled nut suitable for tool assembly
- Immunity to vibration, with mechanical latching
- Gold plated contacts
- Degree of protection IP67 / IP68 / IP69K

Dimensions



Technical data

General specifications

Number of pins 3

Electrical specifications

Volume resistance < 5 mΩ

Ambient conditions

Ambient temperature Body: -40 ... 90 °C (-40 ... 194 °F)

Pollution Degree 3

Mechanical specifications

Contact elements spring-loaded contact socket

Pin diameter 1 mm

Degree of protection IP67 / IP68 / IP69k

Material

Contacts CuSn / Au

Contact surface Au

Body TPU, black

Cable PUR

Slotted nut Diecast zinc

Cable

Length L 25 m

Flammability

Contact material HB

Housing V-2

Compliance with standards and directives

Standard conformity

Degree of protection EN 60529:2000

Standards IEC 61076-2-101:2008

Flammability Grip: UL 94

Electrical connection

