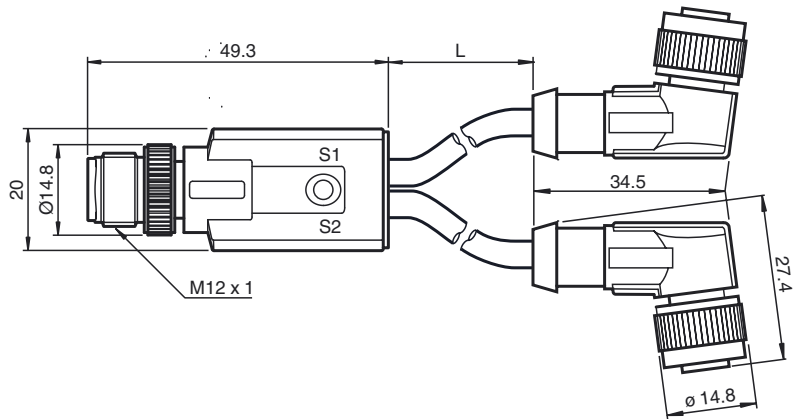




Dimensions



Model Number

V1-W-0,3M-PUR-TV1-G

Y-splitter cordset, M12 to 2 x M12, 3-pin, PUR cable

Features

- Simple assembling of 2 signals to one M12 plug-in station
- Pins 2 and 4 bridged
- Flame resistant cable
- Resistant to microbes and hydrolysis
- Halogen-free
- Does not give off silicone

Technical data

General specifications

Number of pins 3

Electrical specifications

Operating voltage U_B max. 250 V AC/DC
 Operating current max. 4 A
 Volume resistance < 5 mΩ

Ambient conditions

Ambient temperature Body: -25 ... 90 °C (-13 ... 194 °F)
 cable, fixed: -40 ... 80 °C (-40 ... 176 °F)
 cable, flexing: -25 ... 80 °C (-13 ... 176 °F)

Mechanical specifications

Degree of protection IP65 / IP68 / IP69K
 Connection 1 x M12 connector, straight
 2 x M12 right-angled sockets

Material

Contacts CuSn
 Contact surface Ni/Au
 Body TPU, black
 Cable PUR
 Slotted nut Zinc die-casting, nickel-plated
 Sleeve connector Zinc die-casting, nickel-plated
 Seal NBR
 Core insulation PP

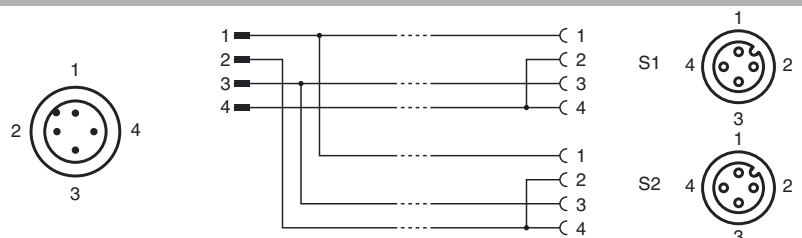
Cable

Sheath diameter Ø 4.4 mm
 Bending radius > 10 x cable diameter, moving
 > 5 x cable diameter, fixed
 Color black
 Cores 3 x 0.34 mm² ; 22 AWG
 Conductor construction 42 x 0.1 mm Ø
 Length L 0.3 m

Compliance with standards and directives

Standard conformity
 Degree of protection EN 60529:2000
 Standards IEC 61076-2-101:2008

Electrical connection



Release date: 2014-11-04 13:42 Date of issue: 2014-11-04 240007_eng.xml

Refer to "General Notes Relating to Pepperl+Fuchs Product Information".