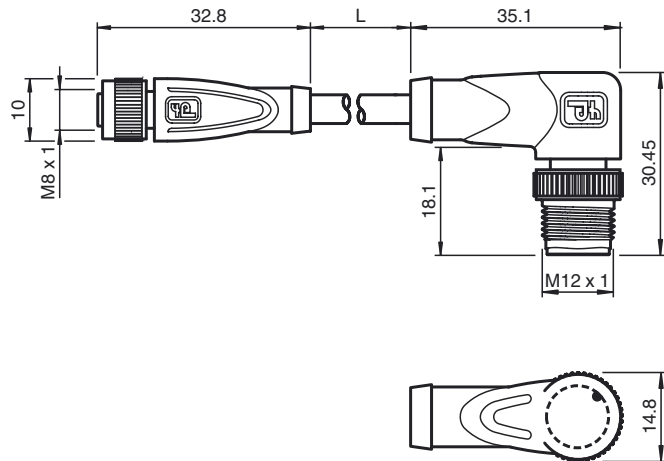


**Dimensions**



**Model Number**

**V31-GM-1M-PVC-V1-W**

Connection cable, M8 to M12, PVC cable 4-pin

**Features**

- Knurled nut suitable for tool assembly
- Immunity to vibration, with mechanical latching
- Gold-plated and machined contacts

**Technical data**

**General specifications**

Number of pins	4
Connection 1	socket
Construction type 1	straight
Threading 1	M8
Connection 2	Male connector
Construction type 2	right angle
Threading 2	M12

**Electrical specifications**

Operating voltage	$U_B$	max. 60 V DC
Test voltage		> 1500 V <sub>eff</sub> AC
Operating current		max. 4 A
Volume resistance		< 5 mΩ

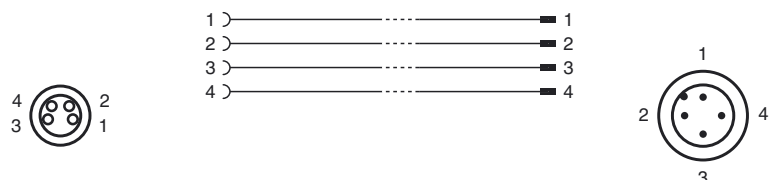
**Ambient conditions**

Ambient temperature	-40 ... 90 °C (-40 ... 194 °F) cable, fixed: -25 ... 70 °C (-13 ... 158 °F) cable, flexing: -5 ... 70 °C (23 ... 158 °F)
Pollution Degree	3

**Mechanical specifications**

Contact elements	spring-loaded contact socket
Pin diameter	1 mm
Protection degree	IP67
Material	
Contacts	CuSn / Au
Contact surface	Au
Body	TPU, green
Cable	PVC
Slotted nut	Diecast zinc
Sleeve connector	Diecast zinc
Core insulation	PVC
Cable	fine-strand, flexible
Sheath diameter	Ø 4.3 mm
Bending radius	> 15 x cable diameter, induced > 10 x cable diameter, fixed
Color	grey
Cores	4 x 0.25 mm <sup>2</sup>
Conductor construction	14 x 0.15 mm Ø
Length	L 1 m
Flammability	
Contact material	94 HB
Housing	94 V-2

**Electrical connection**



Release date: 2013-08-14 17:20 Date of issue: 2013-08-14 240126\_eng.xml

Refer to "General Notes Relating to Pepperl+Fuchs Product Information".