



**Model Number**

**VDM100-50-P/G2**

Distance sensor  
with four M12 x 1 connectors

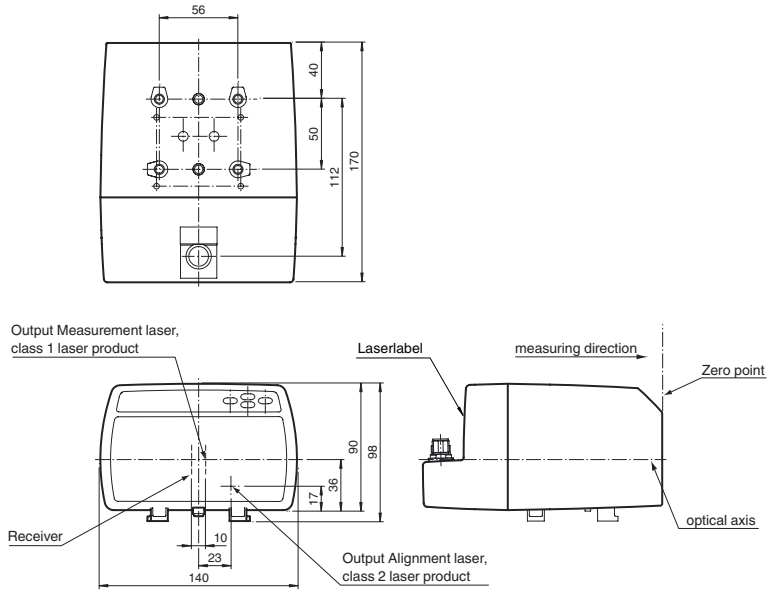
**Features**

- Measuring method PRT (Pulse Ranging Technology)
- Non-contact precision measurement
- Ultra-fast data acquisition
- Active dynamic control
- Modern lightweight design, extremely robust
- Simple programming with 4 keys and luminous display

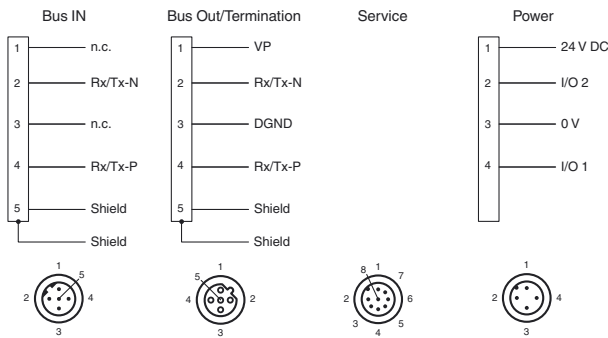
**Product information**

Series VDM 100 laser distance measurement devices are designed for high distances. They have a repeat accuracy of 0.5 mm. SSI and fieldbusses are used as value interfaces. These devices are used for precise positioning of rack operating units, gantry cranes, rail-bound vehicles, elevators and other linear movable units.

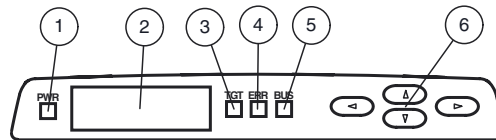
**Dimensions**



**Electrical connection**



**Indicators/operating means**

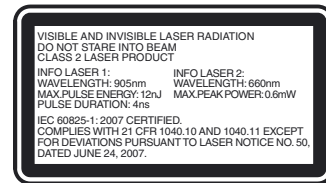


1	Power-LED	green
2	Display	
3	TARGET-LED	green
4	ERROR-LED	red
5	BUS-LED	green
6	Control keys	

Release date: 2014-04-23 15:35 Date of issue: 2014-04-23 241261\_eng.xml

**Technical data****General specifications**

Measurement range	0.3 ... 50 m
Reference target	Foil reflector 500 mm x 500 mm
Light source	laser diode
Laser nominal ratings	
Note	VISIBLE AND INVISIBLE LASER RADIATION , DO NOT STARE INTO BEAM
Laser class	Measurement laser: 1 Alignment laser: 2
Wave length	Measurement laser: 905 nm Alignment laser: 660 nm
Beam divergence	Measurement laser: 2 mrad Alignment laser: 1 mrad
Pulse length	Measurement laser: 4 ns
Repetition rate	Measurement laser: 20 kHz
Maximum optical power output	Alignment laser: 0.6 mW
max. pulse energy	Measurement laser: 12 nJ
Measuring method	Pulse Ranging Technology (PRT)
Max. Motion velocity	15 m/s
Alignment aid	Laser pointer Laser class 2
Life span	> 100000 h
Diameter of the light spot	< 15 cm at 50 m
Ambient light limit	> 100000 Lux
Resolution	0.1 mm , adjustable
Temperature influence	0.03 mm/K
<b>Functional safety related parameters</b>	
MTTF <sub>d</sub>	89 a
Mission Time (T <sub>M</sub> )	20 a
Diagnostic Coverage (DC)	0 %
<b>Indicators/operating means</b>	
Function indicator	4 LEDs
Control elements	Control panel (4 membrane keys) for setting parameters
Parameterization indicator	Illuminated display for displaying measured values and parameterization
<b>Electrical specifications</b>	
Operating voltage	U <sub>B</sub> 18 ... 30 V DC
No-load supply current	I <sub>0</sub> 250 mA (18 V) ... 150 mA (30 V)
Protection class	III (operating voltage 50 V)
Time delay before availability	t <sub>v</sub> < 10 s
<b>Interface</b>	
Interface type	PROFIBUS DP acc. to EN 50170
Transfer rate	9.6 kbit/s ... 12 Mbit/s , adjustable
<b>Input/Output</b>	
Input/output type	2 PNP inputs/outputs, independent configuration, short-circuit protected, reverse polarity protected
<b>Input</b>	
Switching threshold	low: U <sub>e</sub> < 6 V, high: U <sub>e</sub> > 16 V
<b>Output</b>	
Switching threshold	low: U <sub>a</sub> < 1 V, high: U <sub>a</sub> > U <sub>b</sub> - 1 V
Switching current	200 mA per output
<b>Measurement accuracy</b>	
Measured value output	1 ms
Average data age	3 ms , 6 ms , 12 ms , 25 ms , 50 ms , adjustable
Offset	max. 2 mm (between two devices)
Absolute accuracy	± 2.5 mm (> 3 m); ± 3.5 mm (0.3 m to 3 m)
Repeat accuracy	< 0.5 mm
<b>Ambient conditions</b>	
Ambient temperature	-10 ... 50 °C (14 ... 122 °F)
Storage temperature	-20 ... 70 °C (-4 ... 158 °F)
Relative humidity	95 % , no moisture condensation
<b>Mechanical specifications</b>	
Degree of protection	IP65
Connection	4-pin, M12x1 connector, standard (supply) , 5-pin, M12x1 connector, B-coded (Bus In) , M12x1 socket, 5-pin, B-coded (Bus Out) , 8-pin M12x1 connector, service
Material	
Housing	ABS / PC
Optical face	PMMA , hard coated
Mass	approx. 700 g
<b>Compliance with standards and directives</b>	

**Laserlabel****Accessories****V15-G-PG9**

Female connector, M12, 5-pin, field attachable

**V15-W-PG9**

Female connector, M12, 5-pin, field attachable

**V1-W**

Female connector, M12, 4-pin, field attachable

**V1-G**

Female connector, M12, 4-pin, field attachable

**V15SB-G-ABG-PG9**

Cable connector, M12, for PROFIBUS, adjustable

**V15B-G-ABG-PG9**

Cable socket, M12, for PROFIBUS, adjustable

**ICZ-TR-V15B**

Terminal resistor for PROFIBUS

**Schutzkappe LS610 Zubehoer**

M12 protective cap set (connector + socket) for series LS610 / LS611

**Funktionserdung LS610/VDM100 Zubehoer**

Function grounding for LS610 / LS611 / VDM100 series

**OMH-VDM100-01**

Mounting bracket with deviation mirror for distance measurement devices

**OMH-LS610-01**

Mounting bracket for optical data coupler

**OMH-LS610-02**

Direct mounting set consisting of 4 x M4 threaded inserts

**OMH-LS610-32**

Mounting bracket for optical data coupler and distance measurement devices

**OMH-LS610-05**

Mounting bracket for optical data coupler and distance measurement devices

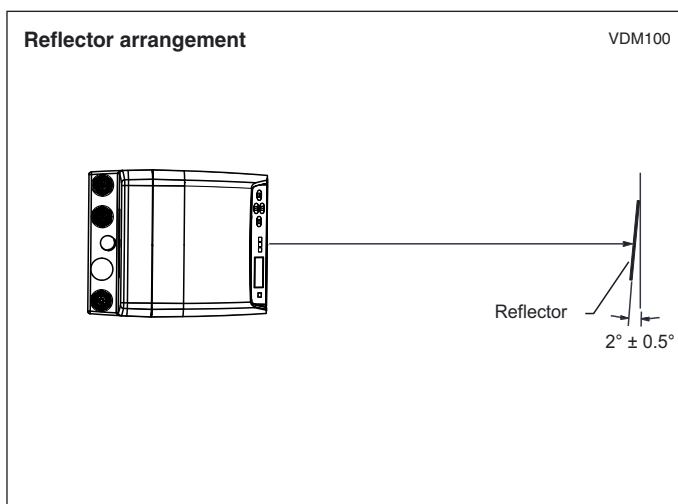
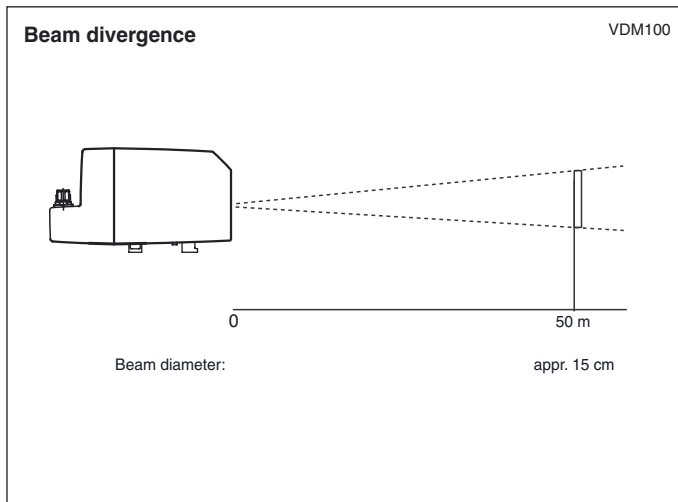
**OFR-500/500**

Reflective tape

Directive conformity	EMC Directive 2004/108/EC
Standard conformity	
Product standard	EN 60947-5-2:2007
Laser class	IEC 60825-1:2007

**Approvals and certificates**

UL approval	cULus Listed
-------------	--------------

**Curves/Diagrams****Laser notice laser class 2**

- Caution: visible and invisible laser radiation, do not look at the beam!
- The irradiation can lead to irritation especially in a dark environment. Do not point at people!
- Maintenance and repairs should only be carried out by authorized service personnel!
- Attach the device so that the warning is clearly visible and readable.
- Caution – Use of controls or adjustments or performance of procedures other than those specified herein may result in hazardous radiation exposure.