

Model Number

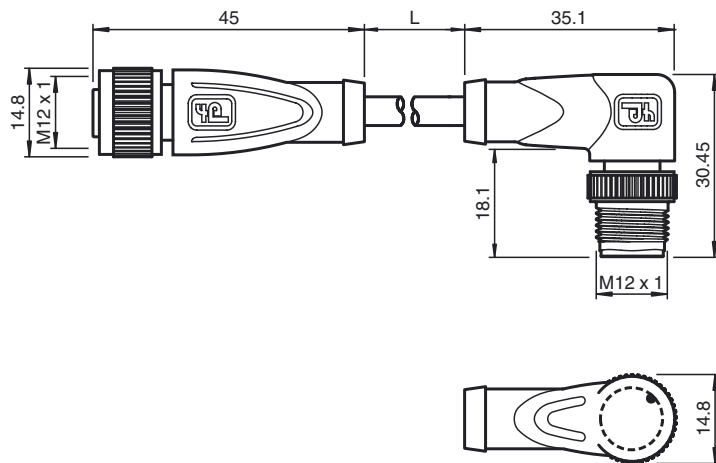
V1-G-0,3M-PUR-ABG-V1-W-Y

Connecting cable, M12 to M12, PUR cable, 4-pin, bridged, shielded

Features

- Pins 3 and 4 are bridged
- Shield attached to coupling nut
- Knurled nut suitable for tool assembly
- Immunity to vibration, with mechanical latching
- Gold-plated and machined contacts
- Protection degree IP67 / IP68 / IP69K
- Halogen-free

Dimensions



Technical data

General specifications

| | |
|---------------------|--|
| Number of pins | 4 + shield (Pins 3 and 4 are bridged) |
| Connection 1 | socket |
| Construction type 1 | straight |
| Threading 1 | M12 |
| Connection 2 | Male connector |
| Construction type 2 | right angle |
| Threading 2 | M12 |

Electrical specifications

| | | |
|-------------------|-------|------------------|
| Operating voltage | U_B | max. 250 V AC/DC |
| Operating current | | max. 4 A |
| Volume resistance | | < 5 m Ω |

Ambient conditions

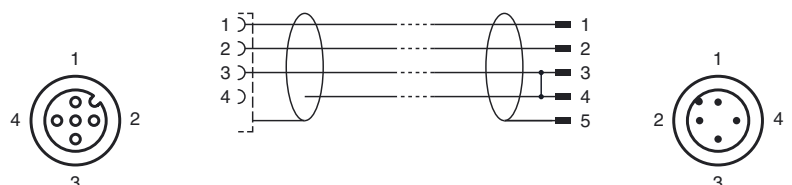
| | |
|---------------------|--|
| Ambient temperature | -40 ... 90 °C (-40 ... 194 °F) cable, flexing: -25 ... 80 °C (-13 ... 176 °F) cable, fixed: -40 ... 80 °C (-40 ... 176 °F) |
| Pollution Degree | 3 |

Mechanical specifications

| | | |
|------------------------|--|-------|
| Contact elements | spring-loaded contact socket | |
| Pin diameter | 1 mm | |
| Protection degree | IP67 | |
| Material | | |
| Contacts | CuSn / Au | |
| Contact surface | Au | |
| Body | TPU, green | |
| Cable | PUR | |
| Slotted nut | Diecast zinc | |
| Sleeve connector | Diecast zinc | |
| Core insulation | PP | |
| Cable | fine-strand, flexible | |
| Sheath diameter | \varnothing 4.8 mm | |
| Bending radius | > 10 x cable diameter, moving 5 x cable diameter, single bend | |
| Color | grey | |
| Cores | 4 x 0.34 mm ² | |
| Conductor construction | 19 x 0.15 mm \varnothing | |
| Shield | grid covering 85 % | |
| Length | L | 0.3 m |
| Flammability | | |
| Contact material | 94 HB | |
| Housing | 94 V-2 | |

Compliance with standards and directives

Electrical connection





Standard conformity

Protection degree

EN 60529:2000

Standards

IEC 61076-2-101:2008

Release date: 2013-08-14 13:14 Date of issue: 2013-08-14 242211_eng.xml