



CANopen DeviceNet.

Model Number

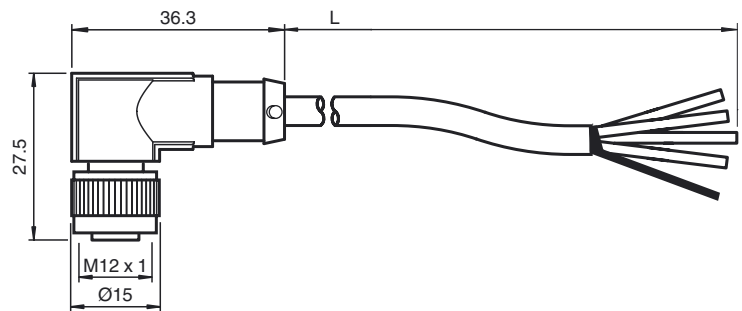
V15-W-2M-PUR-CAN

DeviceNet/CANopen bus cable, M12 to open cable end, 5-pin PUR cable

Features

- Suitable for DeviceNet and CANopen
- Suitable for drag chains
- Shield connected to pin 1
- Knurled nut suitable for tool assembly
- Immunity to vibration, with mechanical latching
- Halogen-free

Dimensions



Technical data

General specifications

Number of pins	5
Connection 1	socket
Construction type 1	right angle
Threading 1	M12
Connection 2	cable end

Electrical specifications

Operating voltage	U_B	max. 60 V DC
Operating current		max. 4 A
Volume resistance		< 5 m Ω
Insulation resistance		≥ 100 M Ω

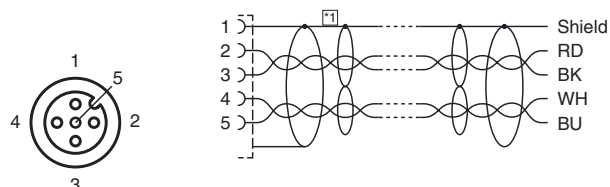
Ambient conditions

Ambient temperature	-25 ... 90 °C (-13 ... 194 °F) cable, fixed: -40 ... 80 °C (-40 ... 176 °F) cable, flexing: -20 ... 70 °C (-4 ... 158 °F)
Pollution Degree	3

Mechanical specifications

Degree of protection	IP65/IP67
Material	
Contacts	CuSn
Contact surface	Ni/Au
Body	TPU, black
Cable	PUR
Slotted nut	Zinc die-casting, nickel-plated
Seal	NBR
Core insulation	PE
Cable	2 pairs, each with 2 leads, wrapped around a drain wire Pair shield: aluminum laminated polyester film
Sheath diameter	Ø 6.7 mm
Bending radius	> 10 x cable diameter, moving > 10 x cable diameter, fixed
Color	violet
Cores	2 x 0.25 mm ² / 24 AWG (signal line) 2 x 0.34 mm ² / 22 AWG (power supply) 1 x 0.34 mm ² (drain wire)
Conductor construction	19 x 0.13 mm Ø (signal wire) 19 x 0.15 mm Ø (power supply)
Shield	grid tin-plated copper wires, 80 % covering
Length	L 2 m
Drag chain suitability	
Drag chain cycles	5000000
Motion velocity	≤ 3 m/s
Traverse distance	4.5 m
Acceleration	≤ 3 m/s ²

Electrical connection



Flammability	
Contact material	HB
Housing	HB
Cable	FT1
Compliance with standards and directives	
Standard conformity	
Flammability	UL†1581 Section 1060; IEC†60332-1-2:2004
Approvals and certificates	
UL approval AWM Style 21198	
Maximum permissible operating voltage ≤ 300 V	
Maximum permissible ambient temperature ≤ 80 °C (≤ 176 °F)	

Release date: 2014-03-31 13:48 Date of issue: 2014-04-03 244537_eng.xml