



**ECOLAB**

### Model number

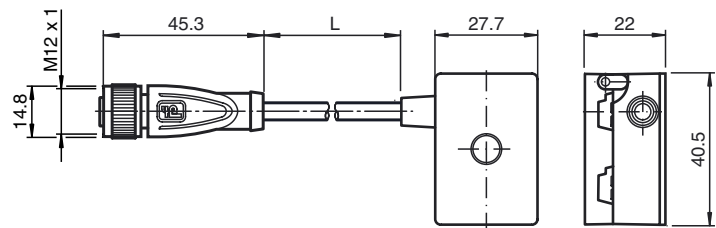
**VAZ-T1-FK-G10-PTC-1M-PUR-V1-G**

G10 junction block, LED status indication, AS-Interface to 1x M12 round plug connector

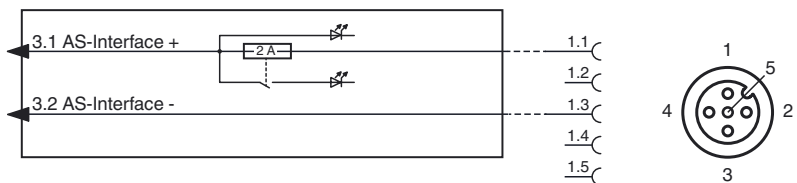
### Features

- One piece housing
- Simple and fast mounting
- Electronic current limitation with LED display
- Gold-plated and machined contacts
- Oil and abrasion resistant PUR line appropriate for drag chains
- Immunity to vibration
- Degree of protection IP68 / IP69K
- Halogen-free

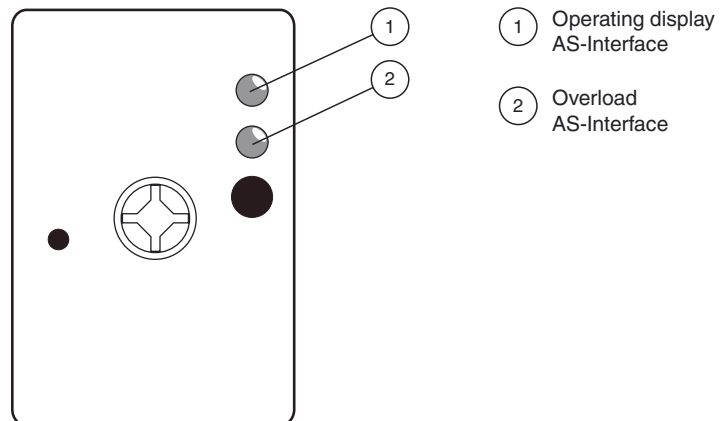
### Dimensions



### Electrical connection



### Indicating / Operating means



1 Operating display AS-Interface

2 Overload AS-Interface

### Technical data

#### General specifications

Construction type	Socket, straight
	Flat cable terminal AS-Interface

#### Functional safety related parameters

MTTF <sub>d</sub>	4270 a
Mission Time (T <sub>M</sub> )	20 a
Diagnostic Coverage (DC)	0 %

#### Indicators/operating means

LED Overload	Overload display output; red LED red: overload output
LED PWR	Operating voltage LED green Green: voltage OK

#### Electrical specifications

Rated operating voltage	U <sub>e</sub>	10 ... 32 V PELV
Protection class		III
Short-circuit current	I <sub>k</sub>	max. 40 A
Surge protection		overvoltage category III

**Output**

Current loading capacity	1.6 A (40 °C)
Response delay	approx. 4 s @ 8 A
Voltage drop	$U_d$ 0.8 V at 2 A ; 0.3 V at 0.5 A

**Ambient conditions**

Ambient temperature	-25 ... 70 °C (-13 ... 158 °F)
Storage temperature	-25 ... 85 °C (-13 ... 185 °F)

**Mechanical specifications**

Degree of protection	IP67 IP67 / IP68 / IP69K with flat cable VAZ-FK-S*
Connection	Flat cable AS-Interface: cable piercing method Plug connection: M12 x 1 socket (V1)

**Material**

Contacts	CuSn / Au
Housing	PBT PC
Body	black PUR
Cable	PUR
Mounting screw	Stainless steel 1.4305 / AISI 303

**Cable**

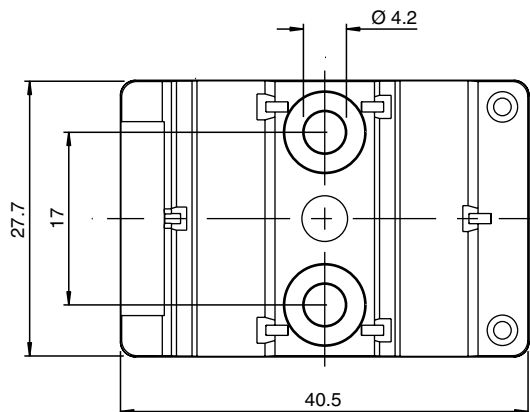
Sheath diameter	Ø4,3 mm
Color	black
Cores	2 x 0.34 mm <sup>2</sup>
Length	L 1 m
Mass	100 g
Tightening torque, fastening screws	1.65 Nm

**Compliance with standards and directives**

Directive conformity	
EMC Directive 2004/108/EC	EN 61000-6-2:2005, EN 61000-6-4:2007
Standard conformity	
Noise immunity	EN 61000-6-2:2005
Emitted interference	EN 61000-6-4:2007
Degree of protection	EN 60529:2000
Fieldbus standard	EN 50295:1999, IEC 62026-2:2008

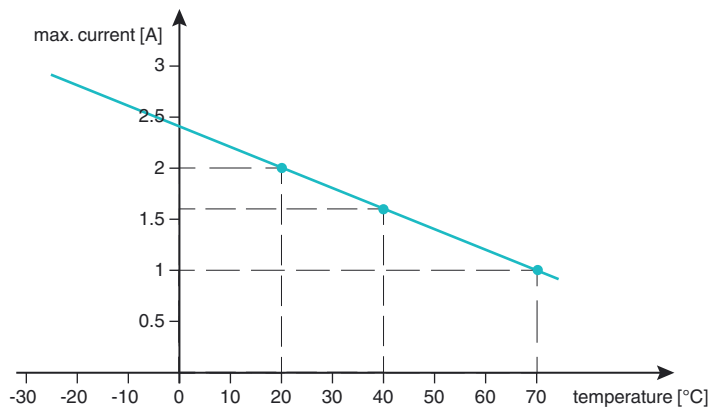
**Notes****Mounting instructions**

You may screw the device onto a level mounting surface using two M4 attachment screws. The attachment screws are not included.



The current loading capacity of the splitter box is depending on the temperature.

### Derating



After persistent or frequent short-circuits the internal fuse may open at a lower current.