



ECOLAB

Model number

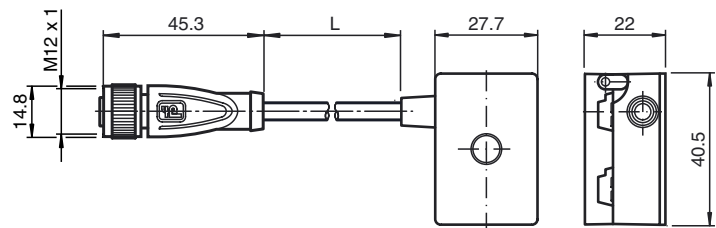
VAZ-2T1-FK-G10-PTC-1M-PUR-V1-G

G10 junction block, LED status indication, AS-Interface, and auxiliary power to 1x M12 round plug connector

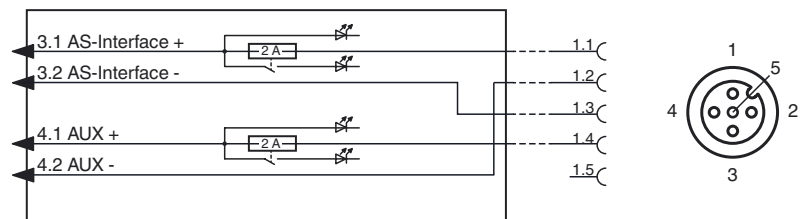
Features

- One piece housing
- Simple and fast mounting
- Electronic current limitation with LED display
- Gold-plated and machined contacts
- Oil and abrasion resistant PUR line appropriate for drag chains
- Immunity to vibration
- Degree of protection IP68 / IP69K
- Halogen-free

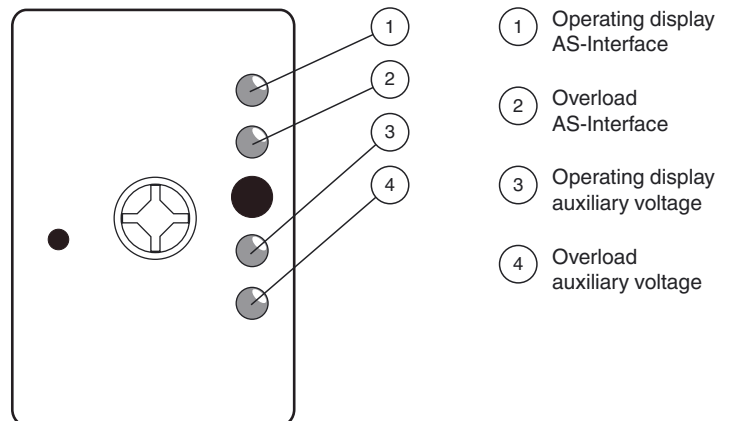
Dimensions



Electrical connection



Indicating / Operating means



Technical data

General specifications

Construction type	Socket, straight
	Flat cable terminals AS-Interface/ext. auxiliary voltage

Functional safety related parameters

MTTF _d	2240 a
Mission Time (T _M)	20 a
Diagnostic Coverage (DC)	0 %

Indicators/operating means

LED Overload	Overload display output; red LED red: overload output
LED PWR	Operating voltage LED green Green: voltage OK

Electrical specifications

Rated operating voltage	U _e	10 ... 32 V PELV (AS-Interface , ext. auxiliary voltage AUX)
Protection class		III
Short-circuit current	I _k	max. 40 A
Surge protection		overvoltage category III

Output

Current loading capacity	1.6 A (40 °C) per output
Response delay	approx. 4 s @ 8 A
Voltage drop	U_d 0.8 V at 2 A ; 0.3 V at 0.5 A

Ambient conditions

Ambient temperature	-25 ... 70 °C (-13 ... 158 °F)
Storage temperature	-25 ... 85 °C (-13 ... 185 °F)

Mechanical specifications

Degree of protection	IP67 IP67 / IP68 / IP69K with flat cable VAZ-FK-S*
Connection	Flat cable AS-Interface: cable piercing method Flat cable ext. auxiliary voltage U_{AUX} : Insulation penetration technology Plug connection: M12 x 1 socket (V1)

Material

Contacts	CuSn / Au
Housing	PBT PC
Body	black PUR
Cable	PUR
Mounting screw	Stainless steel 1.4305 / AISI 303

Cable

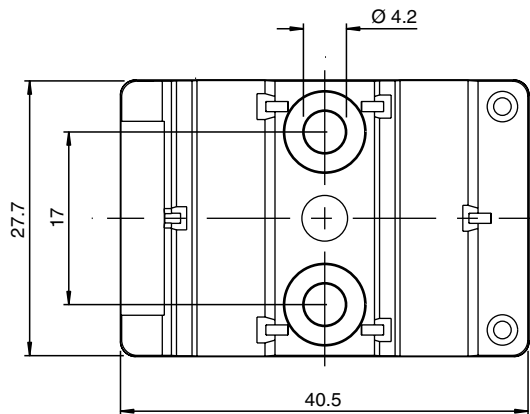
Sheath diameter	Ø4,3 mm
Color	black
Cores	4 x 0.34 mm ²
Length	L 1 m
Mass	100 g
Tightening torque, fastening screws	1.65 Nm

Compliance with standards and directives

Directive conformity	
EMC Directive 2004/108/EC	EN 61000-6-2:2005, EN 61000-6-4:2007
Standard conformity	
Noise immunity	EN 61000-6-2:2005
Emitted interference	EN 61000-6-4:2007
Degree of protection	EN 60529:2000
Fieldbus standard	EN 50295:1999, IEC 62026-2:2008

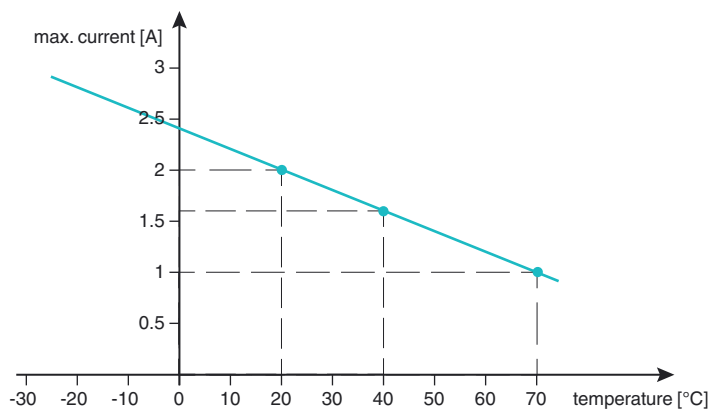
Notes**Mounting instructions**

You may screw the device onto a level mounting surface using two M4 attachment screws. The attachment screws are not included.



The current loading capacity of the splitter box is depending on the temperature.

Derating



After persistent or frequent short-circuits the internal fuse may open at a lower current.