



### Model Number

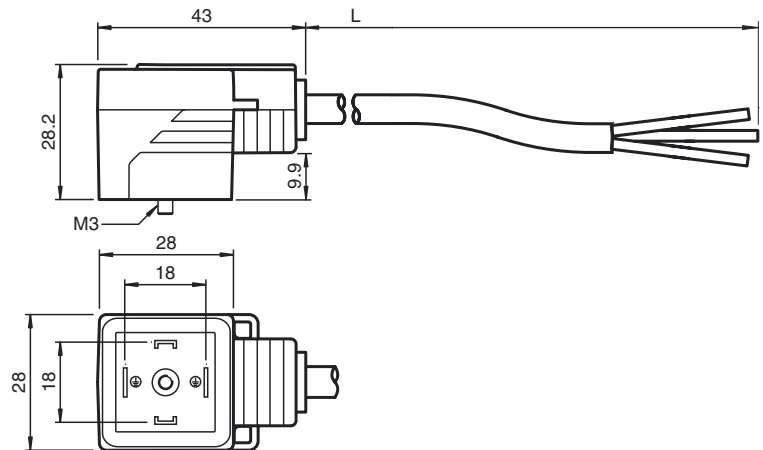
#### VMA-2+P/Z2-1,5M-PVC

Valve connector, model A, 2+PE, zener diode, PVC cable

### Features

- Valve connector according EN 175301-803 A/ISO 4400 (previously DIN 43650)
- Z diode as a protective circuit
- Built-in LED, as operating and function indicator
- Moulded seal
- freely selectable cable models due to bridged protective earth
- Flame resistant cable
- Oil resistant

### Dimensions



### Technical data

#### General specifications

Number of pins	2 + PE
Connection 1	Valve connector DIN
Construction type 1	right angle
Connection 2	cable end

#### Indicators/operating means

LED yellow	Functional display
------------	--------------------

#### Electrical specifications

Operating voltage	$U_B$	24 V AC/DC
Operating current		max. 4 A
Volume resistance		< 5 m $\Omega$

#### Ambient conditions

Ambient temperature	Body: -20 ... 85 °C (-4 ... 185 °F) cable, flexing: -5 ... 80 °C (23 ... 176 °F) cable, fixed: -40 ... 80 °C (-40 ... 176 °F)
Pollution Degree	3

#### Mechanical specifications

Protection degree	IP65/IP67
Connection	Valve connector Form A
Material	
Contacts	CuSn
Contact surface	Sn
Body	TPU, black
Cable	PVC
Core insulation	PVC
Cable	
Sheath diameter	$\varnothing$ 4.8 mm
Bending radius	> 5 x cable diameter > 10 x cable diameter, fixed
Color	black
Cores	3 x 0.5 mm <sup>2</sup> , 20 AWG
Conductor construction	16 x 0.2 mm $\varnothing$
Length	L 1.5 m

#### Compliance with standards and directives

Standard conformity	
Flammability	DIN EN 50265-2-1

### Electrical connection

