



**Model Number**

**ML6-8-H-20-RT/59/115b/136**

Background suppression sensor with 300 mm fixed cable and 4-pin, M12 x 1 connector

**Features**

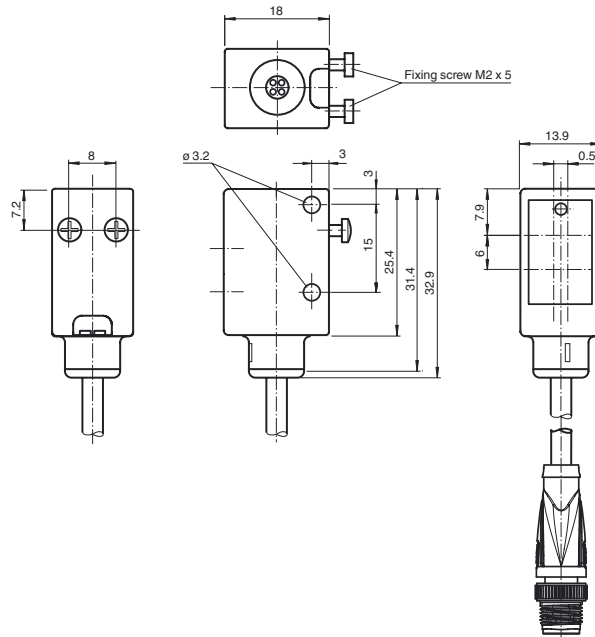
- Precise background suppression
- Very small black-white difference
- Small, sharp light spot
- Highly visible LEDs for Power-On, switching status, short-circuit, and undervoltage
- Metal-reinforced fastening holes
- Tamper-proof version with no adjustments
- Push-pull output

**Product information**

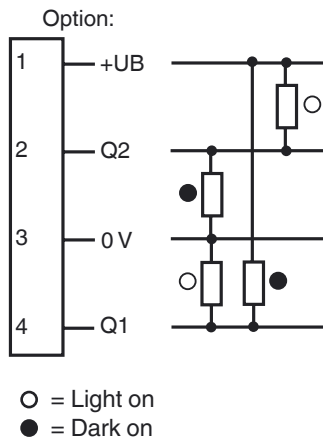
The ML6 series is characterized by a robust, powerful and standard design in a miniature housing. The housing offers IP67/IP69K degree of protection, a food-grade lens, highly visible LEDs and robust all-metal bushings for mounting. Adjustable and tamper-proof sensors with a double push-pull output are available. The sensors have a high ambient light limit. Reflections from the background are suppressed. The unusually small, sharp light spot and the quick response time offer maximum switching precision on object edges. Clearly visible red light sources facilitates alignment. A high-performance fixed focus background suppressor is a useful feature. The sensors are suitable for precise object detection and open up a wide range of application fields.

Release date: 2014-05-12 16:31 Date of issue: 2014-05-23 246486\_eng.xml

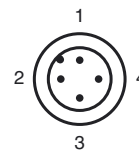
**Dimensions**



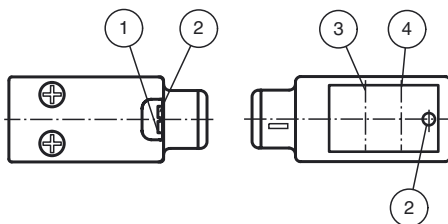
**Electrical connection**



**Pinout**



**Indicators/operating means**



|   |                                   |        |
|---|-----------------------------------|--------|
| 1 | operating display                 | green  |
| 2 | indication of the switching state | yellow |
| 3 | receiver axis                     |        |
| 4 | emitter axis                      |        |

**Technical data****General specifications**

|                                   |                                      |
|-----------------------------------|--------------------------------------|
| Detection range                   | 7 ... 20 mm                          |
| Detection range max.              | 5 ... 25 mm                          |
| Background suppression            | starts from 25 mm                    |
| Light source                      | LED                                  |
| Light type                        | modulated visible red light , 660 nm |
| Black/White difference (6 %/90 %) | approx. 1 mm                         |
| Diameter of the light spot        | approx. 1.5 mm at 20 mm              |
| Angle of divergence               | approx. 5 °                          |
| Ambient light limit               |                                      |
| Continuous light                  | 40000 Lux                            |
| Modulated light                   | 5000 Lux                             |

**Functional safety related parameters**

|                                |        |
|--------------------------------|--------|
| MTTF <sub>d</sub>              | 1940 a |
| Mission Time (T <sub>M</sub> ) | 20 a   |
| Diagnostic Coverage (DC)       | 0 %    |

**Indicators/operating means**

|                     |  |
|---------------------|--|
| Operation indicator | LED green, statically lit Power on , Undervoltage indicator: Green LED, pulsing (approx. 0.8 Hz) , short-circuit : LED green flashing (approx. 4 Hz) |
| Function indicator  | LED yellow: lights when object is detected   |

**Electrical specifications**

|                        |                |                |
|------------------------|----------------|----------------|
| Operating voltage      | U <sub>B</sub> | 10 ... 30 V DC |
| Ripple                 |                | 10 %           |
| No-load supply current | I <sub>0</sub> | < 25 mA        |

**Output**

|                     |  |            |
|---------------------|--|------------|
| Switching type      | light/dark on, programmable  |            |
| Signal output       | 2 push-pull (4 in 1) outputs, complementary, short-circuit proof, reverse polarity protected |            |
| Switching voltage   | max. 30 V DC   |            |
| Switching current   | max. 100 mA  |            |
| Voltage drop        | U <sub>d</sub>   | ≤ 2.5 V DC |
| Switching frequency | f  | 1000 Hz    |
| Response time       |  | 0.5 ms     |

**Ambient conditions**

|                     |                               |
|---------------------|-------------------------------|
| Ambient temperature | -20 ... 60 °C (-4 ... 140 °F) |
| Storage temperature | -20 ... 75 °C (-4 ... 167 °F) |

**Mechanical specifications**

|                      |  |
|----------------------|--|
| Degree of protection | IP67 / IP69K                                     |
| Connection           | 300 mm fixed cable with M12 x 1, 4-pin connector |
| Material             |  |
| Housing              | ABS  |
| Optical face         | PMMA   |
| Cable                | PUR  |
| Mass                 | approx. 50 g                                     |

**Compliance with standards and directives**

|                             |  |
|-----------------------------|--|
| Standard conformity         |  |
| Product standard            | EN 60947-5-2:2007<br>IEC 60947-5-2:2007                                  |
| Shock and impact resistance | IEC / EN 60068. half-sine, 40 g in each X, Y and Z directions            |
| Vibration resistance        | IEC / EN 60068-2-6. Sinus. 10 -150 Hz, 5 g in each X, Y and Z directions |

**Approvals and certificates**

|              |  |
|--------------|--|
| UL approval  | cULus Listed   |
| CCC approval | CCC approval / marking not required for products rated ≤36 V |

**Accessories****OMH-4.1**

Mounting Clamp

**OMH-ML6**

Mounting bracket

**OMH-ML6-U**

Mounting bracket

**OMH-ML6-Z**

Mounting bracket

**V1-G-2M-PVC**

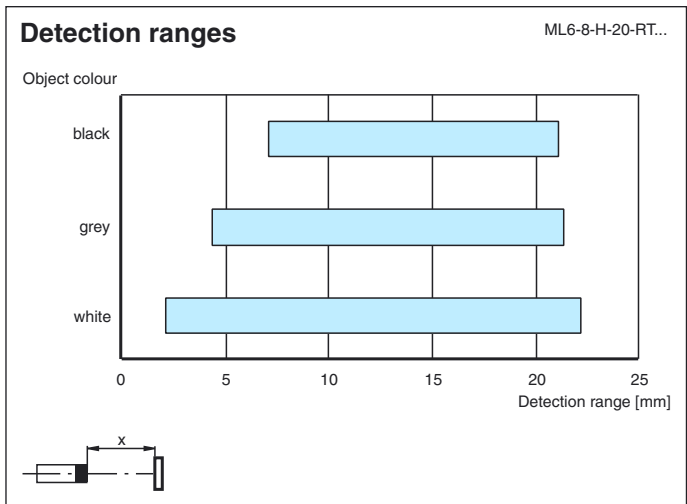
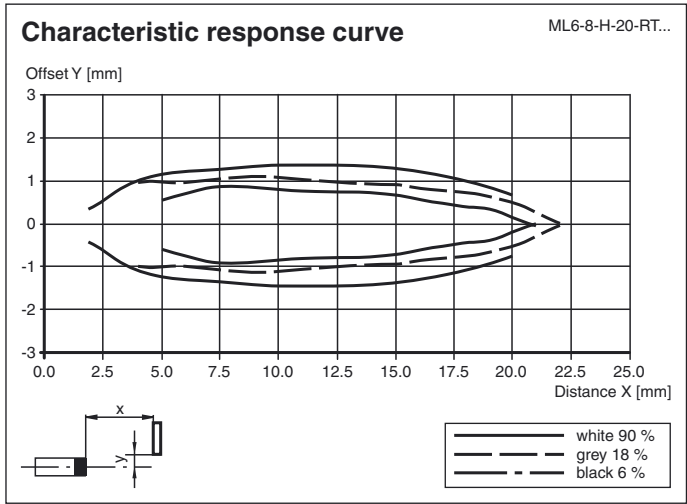
Female cordset, M12, 4-pin, PVC cable

**V1-W-2M-PVC**

Female cordset, M12, 4-pin, PVC cable

Other suitable accessories can be found at [www.pepperl-fuchs.com](http://www.pepperl-fuchs.com)

**Curves/Diagrams**



Release date: 2014-05-12 16:31 Date of issue: 2014-05-23 246486\_eng.xml

Refer to "General Notes Relating to Pepperl+Fuchs Product Information".