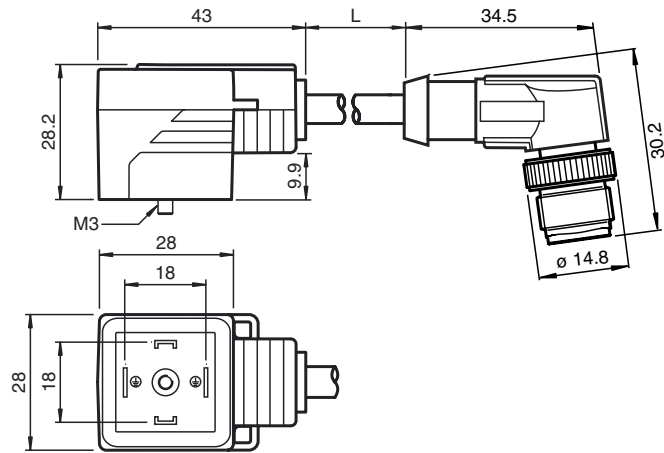




Dimensions



Model Number

VMA-2+P-0,6M-PVC-V1-W

Valve connector, Form A, 2+PE, PVC cable, M12 plug

Features

- Valve connector according EN 175301-803 A/ISO 4400 (previously DIN 43650)
- Moulded seal
- freely selectable cable models due to bridged protective earth
- Flame resistant cable

Technical data

General specifications

Number of pins 2 + PE

Electrical specifications

Operating voltage U_B 250 V AC/DC
 Operating current I_B max. 4 A
 Volume resistance < 10 mΩ

Ambient conditions

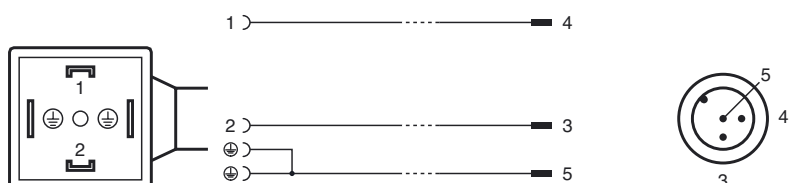
Ambient temperature Body: -25 ... 80 °C (-13 ... 176 °F)
 cable, flexing: -20 ... 80 °C (-4 ... 176 °F)
 cable, fixed: -40 ... 80 °C (-40 ... 176 °F)

Pollution Degree 3

Mechanical specifications

Degree of protection IP65/IP67
 Connection Valve connector Form A
 Material
 Contacts CuSn
 Contact surface Sn
 Body Valve Connector Cordset TPU, black
 Body TPU, black
 Cable PVC
 Core insulation PVC
 Cable
 Sheath diameter Ø 4.8 mm
 Bending radius > 5 x cable diameter
 > 10 x cable diameter, fixed
 Color black
 Cores 3 x 0.5 mm², 20 AWG
 Conductor construction 28 x 0.15 mm Ø
 Length L 0.6 m

Electrical connection



Release date: 2014-12-11 17:06 Date of issue: 2014-12-11 246789_eng.xml