

Model Number

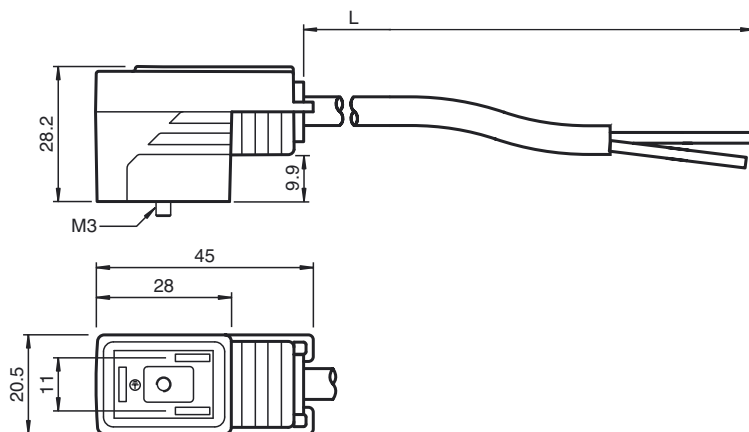
VMBI-2R/L1-0,8M-PVC-Y246770

Valve connector Form B (Ind)

Features

- Valve connector according EN 175301-803 A/ISO 4400 (previously DIN 43650)
- Built-in LED, as operating and function indicator
- Moulded seal
- Flame resistant cable
- Screw length 27 mm

Dimensions



Technical data

General specifications

Number of pins	2
Connection 1	Valve connector industrial version
Construction type 1	right angle
Connection 2	cabl end

Indicators/operating means

LED yellow	Functional display
------------	--------------------

Electrical specifications

Operating voltage	U_B	24 V AC/DC
Operating current		max. 4 A
Volume resistance		< 5 m Ω

Ambient conditions

Ambient temperature	Body: -20 ... 85 °C (-4 ... 185 °F) cable, flexing: -5 ... 80 °C (23 ... 176 °F) cable, fixed: -40 ... 80 °C (-40 ... 176 °F)
Pollution Degree	3

Mechanical specifications

Protection degree	IP65/IP67
Connection	Valve connector Form B (Ind)
Material	
Contacts	CuSn
Contact surface	Sn
Body	black PUR
Cable	PVC
Core insulation	PVC
Cable	
Sheath diameter	\varnothing 5.5 mm
Core diameter	2 mm
Bending radius	> 5 x cable diameter > 10 x cable diameter, fixed
Color	grey
Cores	2 x 0.5 mm ² , 20 AWG
Conductor construction	28 x 0.15 mm \varnothing
Length	L 0.8 m

Electrical connection

