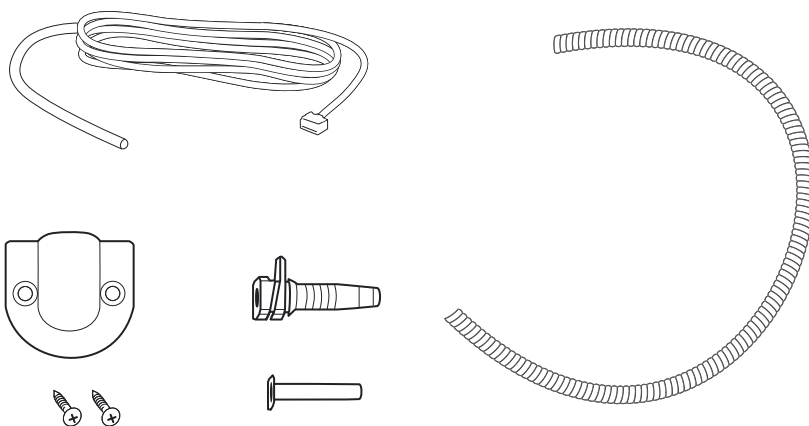




**Dimensions**



**Model Number**

**DoorScan Transfer Loop**

Door transition cable to door controller for DoorScan® sensor, including cable sheathing and strain relief

**Features**

- Door transition cable to connect the sensor to the controller
- Connection to interface module

**Technical data**

**Electrical specifications**

Operating voltage  $U_B$  max. 300 V

**Ambient conditions**

Ambient temperature -25 ... 80 °C (-13 ... 176 °F)

**Mechanical specifications**

Connection	screw terminal , 6-pin
Material	Cable sheathing: polyamide PA 6, black , Wall bracket: ABS
Cable	PUR, gray, 6-wire
Sheath diameter	approx. 4.8 mm
Bending radius	min. 48 mm
Length	L 5000 mm
Mass	approx. 110 g

**General information**

Scope of delivery Wall bracket , Screw kit , cord grip , cable , Cable sheathing , Hollow rivet

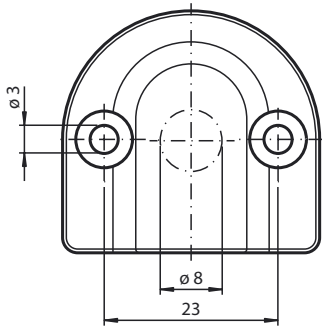
**Suitable series**

Series DoorScan®

Release date: 2013-11-22 15:24 Date of issue: 2013-11-22 247291\_eng.xml

**Mechanical arrangement**

Wall mount bracket



Release date: 2013-11-22 15:24 Date of issue: 2013-11-22 247291\_eng.xml