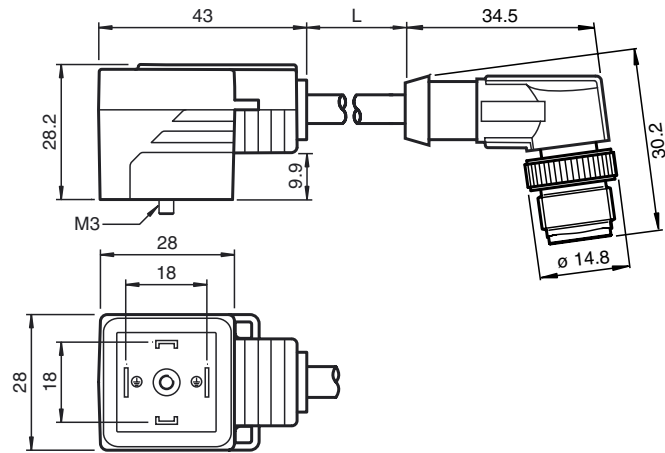




Dimensions



Model Number

VMA-2+P-0,3M-PVC-V1-W

Valve connector, Form A, 2+PE, PVC cable, M12 plug

Features

- Valve connector according EN 175301-803 A/ISO 4400 (previously DIN 43650)
- Moulded seal
- freely selectable cable models due to bridged protective earth
- Flame resistant cable

Technical data

General specifications

Number of pins 2 + PE

Electrical specifications

Operating voltage U_B 250 V AC/DC

Operating current I_B max. 4 A

Volume resistance < 10 m Ω

Ambient conditions

Ambient temperature Body: -25 ... 80 °C (-13 ... 176 °F)
 cable, flexing: -20 ... 80 °C (-4 ... 176 °F)
 cable, fixed: -40 ... 80 °C (-40 ... 176 °F)

Pollution Degree 3

Mechanical specifications

Degree of protection IP65/IP67

Connection Valve connector Form A

Material

Contacts CuSn

Contact surface Sn

Body Valve Connector Cordset TPU, black
 Body TPU, black

Cable PVC

Core insulation PVC

Cable

Sheath diameter \varnothing 4.8 mm

Bending radius > 5 x cable diameter
 > 10 x cable diameter, fixed

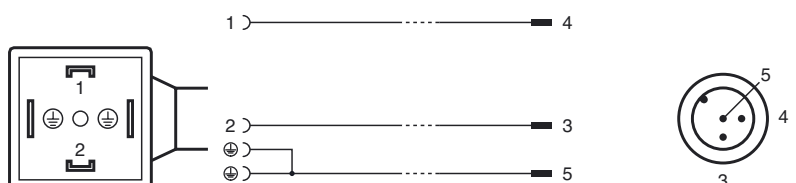
Color black

Cores 3 x 0.5 mm², 20 AWG

Conductor construction 28 x 0.15 mm \varnothing

Length L 0.3 m

Electrical connection



Release date: 2014-12-11 17:06 Date of issue: 2014-12-11 247578_eng.xml

Refer to "General Notes Relating to Pepperl+Fuchs Product Information".

Pepperl+Fuchs Group
 www.pepperl-fuchs.com

USA: +1 330 486 0001
 fa-info@us.pepperl-fuchs.com

Germany: +49 621 776 4411
 fa-info@de.pepperl-fuchs.com

Singapore: +65 6779 9091
 fa-info@sg.pepperl-fuchs.com