



### Model Number

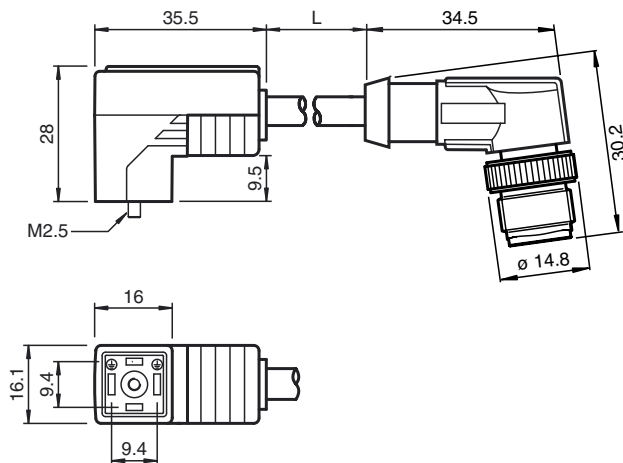
**VMCI-2+P/Z2-0,3M-PVC-V1-W-Y**

Valve connector, Form C (Ind) on M12, 2+PE, LED, Z diode, PVC cable

### Features

- Valve connector according EN 175301-803 A/ISO 4400 (previously DIN 43650)
- Suitable for F31K and F31K2 double sensors
- Z diode as a protective circuit
- Built-in LED, as operating and function indicator
- Moulded seal
- freely selectable cable models due to bridged protective earth
- Flame resistant cable

### Dimensions



### Technical data

#### General specifications

Number of pins	2 + PE
Connection 1	Valve connector industrial version
Construction type 1	right angle
Connection 2	Male connector
Construction type 2	right angle
Threading 2	M12

#### Indicators/operating means

LED yellow	Functional display
------------	--------------------

#### Electrical specifications

Operating voltage	$U_B$	24 V AC/DC
Operating current		max. 4 A
Volume resistance		< 5 m $\Omega$

#### Ambient conditions

Ambient temperature	Body: -20 ... 85 °C (-4 ... 185 °F) cable, flexing: -5 ... 80 °C (23 ... 176 °F) cable, fixed: -40 ... 80 °C (-40 ... 176 °F)
---------------------	---

Pollution Degree	3
------------------	---

#### Mechanical specifications

Protection degree	IP65/IP67
Connection	Valve connector Form C (Ind)

#### Material

Contacts	CuSn
Contact surface	Sn
Body	TPU, black
Cable	PVC
Core insulation	PVC

#### Cable

Sheath diameter	$\varnothing$ 4.8 mm
Bending radius	> 5 x cable diameter > 10 x cable diameter, fixed

Color	black
Cores	3 x 0.5 mm <sup>2</sup> , 20 AWG
Conductor construction	28 x 0.15 mm $\varnothing$
Length	L 0.3 m

### Electrical connection

