



### Model Number

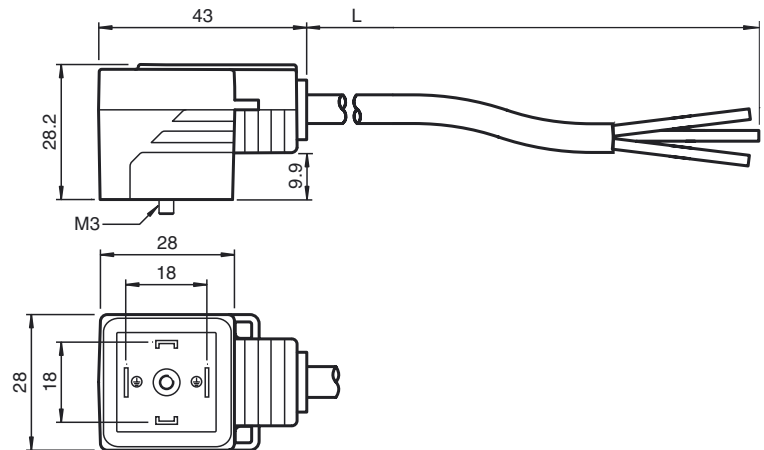
**VMA-2+P/Z2-3M-PUR-0,75**

Valve connector cordset, Form A,  
2+PE, Z diode, PUR cable

### Features

- Valve connector according EN 175301-803 A/ISO 4400 (previously DIN 43650)
- Z diode as a protective circuit
- Built-in LED, as operating and function indicator
- Moulded seal
- freely selectable cable models due to bridged protective earth
- Flame resistant cable
- UL Recognized Component

### Dimensions



### Technical data

#### General specifications

Number of pins	2 + PE
Connection 1	Valve connector DIN
Construction type 1	right angle
Connection 2	cord end

#### Indicators/operating means

LED yellow	Functional display
------------	--------------------

#### Electrical specifications

Operating voltage	$U_B$	24 V AC/DC
Operating current		max. 4 A
Volume resistance		< 5 m $\Omega$

#### Ambient conditions

Ambient temperature	Body: -25 ... 85 °C (-13 ... 185 °F) cable, flexing: -5 ... 80 °C (23 ... 176 °F) cable, fixed: -40 ... 80 °C (-40 ... 176 °F)
---------------------	--

Pollution Degree	3
------------------	---

#### Mechanical specifications

Protection degree	IP65/IP67	
Connection	Valve connector Form A	
Material		
Contacts	CuSn	
Contact surface	Sn	
Body	TPU, black	
Cable	PUR	
Core insulation	PVC	
Cable		
Sheath diameter	$\varnothing$ 5.8 mm	
Bending radius	> 10 x cable diameter, moving	
Color	black molded finish (RAL 9005)	
Cores	3 x 0.75 mm <sup>2</sup> ; 18 AWG	
Conductor construction	24 x 0.2 mm $\varnothing$	
Length	L	3 m

### Electrical connection

