



ECOLAB

Model number

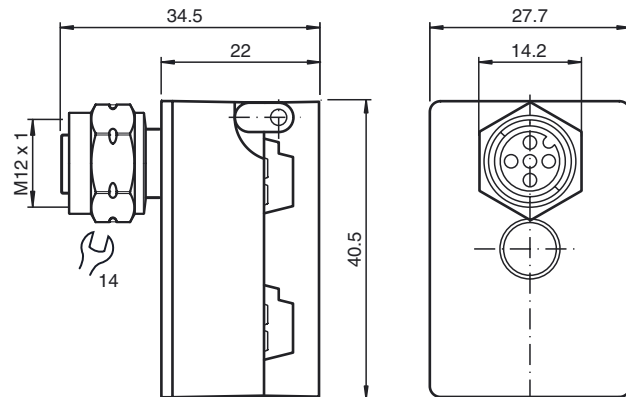
VAZ-2T1-FK-G10-V1-V4A

G10 junction block, AS-Interface and auxiliary power to M12, stainless steel cap nut

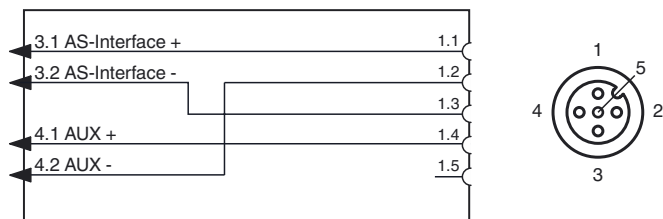
Features

- One piece housing
- Simple and fast mounting
- Stainless steel version, especially suitable for applications in the food industry
- Gold-plated and machined contacts
- Immunity to vibration
- Protection degree IP68/IP69K

Dimensions



Electrical connection



Technical data

General specifications

Construction type	Socket, straight Flat cable terminals AS-Interface/ext. auxiliary voltage
-------------------	--

Electrical specifications

Rated operating voltage	$U_e \leq 32 \text{ V PELV}$ (AS-Interface , ext. auxiliary voltage AUX)
Rated operating current	$I_e \leq 4 \text{ A AS-Interface, } \leq 4 \text{ A AUX}$
Protection class	III
Surge protection	overvoltage category III
Pulse withstand voltage	800 V

Ambient conditions

Ambient temperature	-25 ... 75 °C (-13 ... 167 °F)
Storage temperature	-25 ... 85 °C (-13 ... 185 °F)
Pollution Degree	3

Mechanical specifications

Protection degree	IP67 IP67 / IP68 / IP69K with flat cable VAZ-FK-S*
Connection	Flat cable AS-Interface: cable piercing method Flat cable ext. auxiliary voltage U_{AUX} : Insulation penetration technology Plug connection: M12 x 1 socket (V1)

Material	
Contacts	CuSn / Au
Housing	PBT PC
Slotted nut	Stainless steel 1.4404 / AISI 316L
Mounting screw	Stainless steel 1.4305 / AISI 303
Mass	45 g
Tightening torque, fastening screws	1.65 Nm

Compliance with standards and directives

Standard conformity	
Protection degree	EN 60529:2000

Notes**Mounting instructions**

You may screw the device onto a level mounting surface using two M4 attachment screws. The attachment screws are not included.

