



### Model Number

**IQC43-50**

Data carrier

### Features

- Operating frequency 13.56 MHz
- Complies with ISO 14443
- 7-byte read-only code
- 3440 bytes memory available
- Readable and writable from both sides
- Degree of protection IP68

### Accessories

**IQC42-C1**

Data carrier

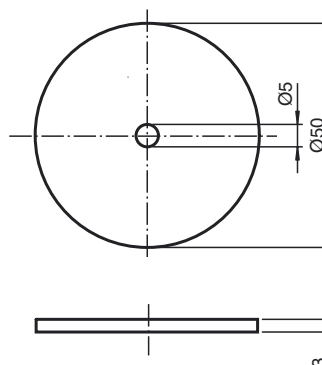
**IQC43-30**

Data carrier

**IQC43-50**

Data carrier

### Dimensions



### Technical data

#### General specifications

Operating frequency	13.56 MHz
Transfer rate	106 kBit/s

#### Memory

Chip Type	NXP MF1 S7009
Type/Size	EEPROM 4096 Byte 3440 Byte User data
Read cycles	unlimited
Write cycles	> 100000
Data retention period	10 years

#### Ambient conditions

Ambient temperature	-40 ... 85 °C (-40 ... 185 °F)
Storage temperature	-40 ... 100 °C (-40 ... 212 °F)

#### Mechanical specifications

Degree of protection	IP68
Material	Thermoplastic polyester
Mass	12 g

#### Compliance with standards and directives

Directive conformity	
R&TTE Directive 1995/5/EC	EN 301489-1:2004, EN 301489-3:2002 EN 300330-1:2010, EN 300330-2:2006
Standard conformity	
Electromagnetic compatibility	EN 300330-1:2010, EN 300330-2:2006 EN 301489-1:2004, EN 301489-3:2002
Degree of protection	EN 60529:2000
RFID	ISO/IEC 14443-2:2010, ISO/IEC 14443-3:2001

### Notes

The transponder can be read and written from either side.