



**Model Number**

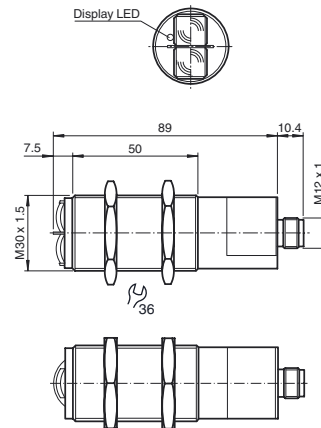
**GLV30-8-H-4575**

Background suppression sensor  
4-pin, M12 x 1 connector

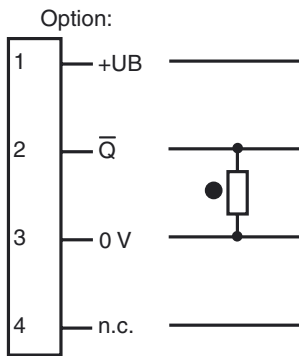
**Features**

- M30 plastic housing
- Dark-On switching

**Dimensions**

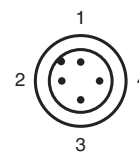


**Electrical connection**



- = Light on
- = Dark on

**Pinout**



Release date: 2014-01-21 13:17 Date of issue: 2014-01-21 249879\_eng.xml

Refer to "General Notes Relating to Pepperl+Fuchs Product Information".

Pepperl+Fuchs Group  
www.pepperl-fuchs.com

USA: +1 330 486 0001  
fa-info@us.pepperl-fuchs.com

Germany: +49 621 776 4411  
fa-info@de.pepperl-fuchs.com

Singapore: +65 6779 9091  
fa-info@sg.pepperl-fuchs.com

**Technical data****General specifications**

Detection range	50 ... 750 mm
Background suppression	starts from 1000 mm on Kodak white
Light source	IREL
Light type	modulated infrared light
Black/White difference (6%/90%)	< 20%
Diameter of the light spot	30 mm at a distance of 1000 mm
Angle of divergence	$\pm 1^\circ$
Ambient light limit	30000 Lux

**Indicators/operating means**

Function indicator	LED yellow, lights up if receiver is not lit
--------------------	--

**Electrical specifications**

Operating voltage	$U_B$	24 V DC $\pm 25\%$
Ripple		10 %
No-load supply current	$I_0$	35 mA

**Output**

Switching type	dark on	
Signal output	1 PNP, short-circuit protected, reverse polarity protected, open collector	
Switching voltage	max. 30 V DC	
Switching current	max. 200 mA	
Switching frequency	f	25 Hz
Response time		30 ms

**Standard conformity**

Standards	EN 60947-5-2
-----------	--------------

**Ambient conditions**

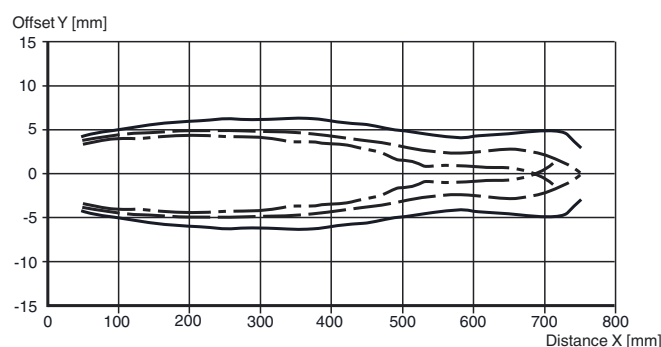
Ambient temperature	-20 ... 60 °C (-4 ... 140 °F)
Storage temperature	-20 ... 75 °C (-4 ... 167 °F)

**Mechanical specifications**

Protection degree	IP67
Connection	Plastic connector M12 x 1, 4-pin
Material	
Housing	ABS
Optical face	plastic lenses
Mass	approx. 70 g

**Approvals and certificates**

UL approval	cULus Listed, Class 2 Power Source, Type 1 enclosure
CCC approval	CCC approval / marking not required for products rated $\leq 36$ V
Approvals	CE

**Curves/Diagrams****Characteristic response curve****Accessories****V1-G-2M-PUR**

Female cordset, M12, 4-pin, PUR cable

**V1-W-2M-PUR**

Female cordset, M12, 4-pin, PUR cable

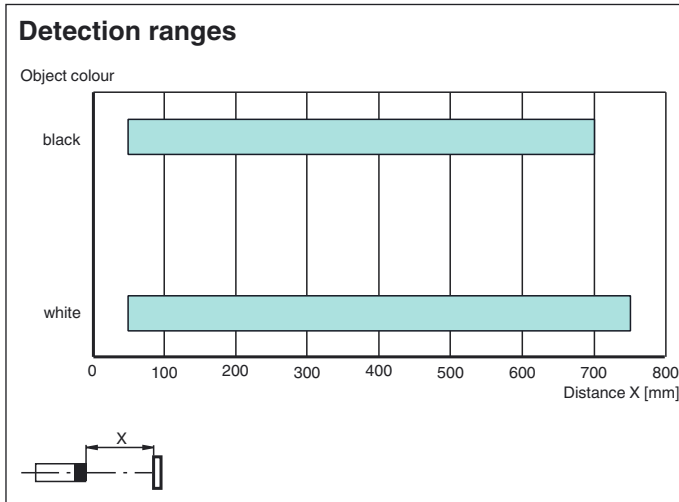
**BF 30**

Mounting flange, 30 mm

**BF 30-F**

Mounting flange with dead stop, 30 mm

Other suitable accessories can be found at [www.pepperl-fuchs.com](http://www.pepperl-fuchs.com)



Release date: 2014-01-21 13:17 Date of issue: 2014-01-21 249879\_eng.xml

Refer to "General Notes Relating to Pepperl+Fuchs Product Information".

Pepperl+Fuchs Group  
www.pepperl-fuchs.com

USA: +1 330 486 0001  
fa-info@us.pepperl-fuchs.com

Germany: +49 621 776 4411  
fa-info@de.pepperl-fuchs.com

Singapore: +65 6779 9091  
fa-info@sg.pepperl-fuchs.com