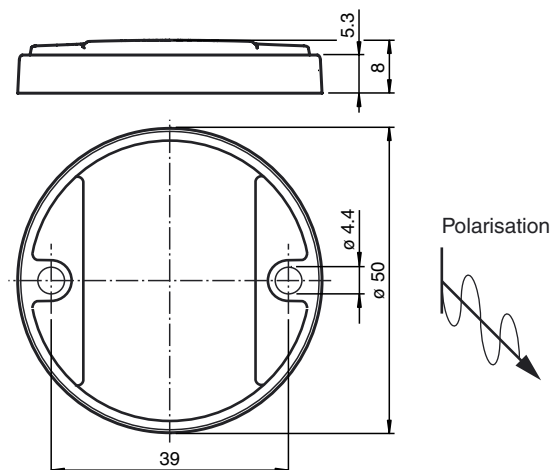




## Dimensions



## Model Number

**IUC76-50-FR1**

Data carrier

## Features

- Operating frequency 865 ... 868 MHz
- Complies with EPC Gen2 (ISO/IEC 18000-63)
- Sturdy housing, suitable for rough industrial use
- Optimized for nonconductive surfaces

## Technical data

### General specifications

Operating frequency	865 ... 868 MHz
Polarization	linear

### Memory

Chip Type	Higgs-3 (Alien)
Capacitance	96 Bit EPC, 512 Bit expanded memory, unique 64 bit fixcode (TID) available

### Ambient conditions

Ambient temperature	-40 ... 85 °C (-40 ... 185 °F)
Storage temperature	-40 ... 100 °C (-40 ... 212 °F)

### Mechanical specifications

Protection degree	IP68
Material	
Housing	PA 6
Mass	24 g

### Compliance with standards and directives

Directive conformity	
R&TTE Directive 1995/5/EC	EN 302208-2:2011 V1.4.1
Standard conformity	
Electromagnetic compatibility	EN 302208-2:2011 V1.4.1
Protection degree	EN 60529:2000
RFID	ISO/IEC 18000-63:2013