



Model Number

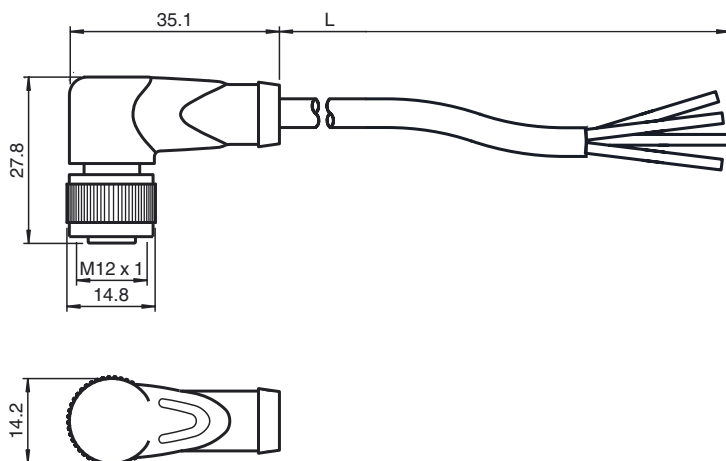
V1-W-E8-BK2M-PUR-U

Cable socket, M12, LED, 4-pin, PUR cable

Features

- Built-in LED, as operating and function indicator
- Knurled nut suitable for tool assembly
- Immunity to vibration, with mechanical latching
- Gold plated contacts
- Degree of protection IP67 / IP68 / IP69K

Dimensions



Technical data

General specifications

Number of pins 4

Indicators/operating means

LED green Operating display
LED yellow Functional display NO contact 4

Electrical specifications

Operating voltage U_B max. 24 V DC \pm 15%
Operating current I_B max. 4 A
Volume resistance $<$ 5 m Ω

Ambient conditions

Ambient temperature Body: -40 ... 90 °C (-40 ... 194 °F)
Pollution Degree 3

Mechanical specifications

Contact elements spring-loaded contact socket
Pin diameter 1 mm
Degree of protection IP67 / IP68 / IP69k

Material

Contacts CuSn / Au
Contact surface Au
Body TPU, transparent
Cable PUR
Slotted nut Diecast zinc

Cable

Length L 2 m

Flammability

Contact material HB

Housing V-2

Compliance with standards and directives

Standard conformity

Degree of protection EN 60529:2000
Standards IEC 61076-2-101:2008
Flammability Grip: UL 94

Electrical connection

