

Model Number

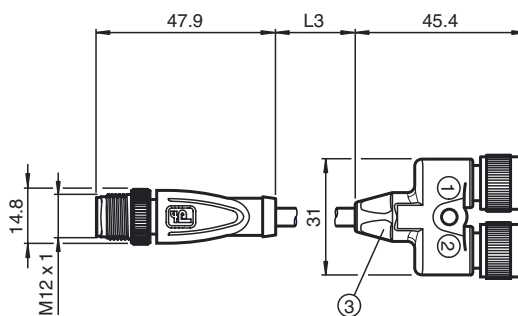
V1-G-T-BK1,5M-PUR-A-V1-G

Y connecting cable, M12 to 2xM12, 4-pin, PUR cable

Features

- Simple assembling of 2 signals to one M12 plug-in station
- Improved resistance to weld slag
- Immunity to vibration, with mechanical latching
- Suitable for drag chains
- Suitable for robotic applications / torsion resistant
- Flame resistant cable
- Halogen-free
- Resistant to microbes and hydrolysis
- Free of paint coating substances

Dimensions



Technical data

General specifications

Number of pins 4

Electrical specifications

Operating voltage U_B max. 30 V AC/DC
 Operating current max. 4 A
 Volume resistance $\leq 5 \text{ m}\Omega$
 Surge protection overvoltage category III

Ambient conditions

Ambient temperature Body: -40 ... 90 °C (-40 ... 194 °F)
 cable, fixed: -40 ... 80 °C (-40 ... 176 °F)
 cable, flexing: -25 ... 80 °C (-13 ... 176 °F)

Pollution Degree 3

Mechanical specifications

Contact elements spring-loaded contact socket
 Pin diameter 1 mm
 Degree of protection IP67
 Connection 1 x M12 connector, straight
 2 x M12 straight sockets

Material

Contacts CuSn / Au
 Contact surface Au
 Body TPU, black
 Cable PUR
 Slotted nut Diecast zinc
 Sleeve connector Diecast zinc
 Core insulation PP

Cable extra-fine wire, flexible
 Sheath diameter $\varnothing 4.3 \text{ mm}$
 Bending radius $> 10 \times$ cable diameter, moving
 $> 5 \times$ cable diameter, fixed

Color black
 Cores $4 \times 0.34 \text{ mm}^2$
 Conductor construction $42 \times 0.1 \text{ mm } \varnothing$
 Length L $L3 = 1.5 \text{ m}$

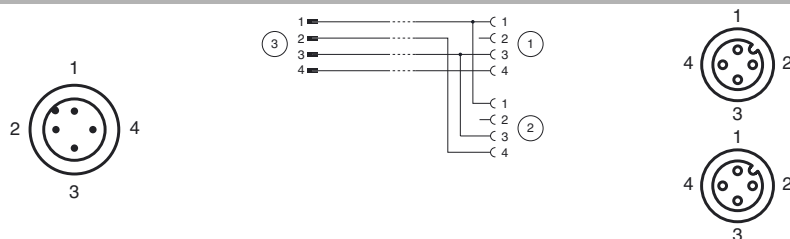
Drag chain suitability

Drag chain cycles ≥ 5000000 (at max. 60 °C)
 Motion velocity $\leq 3.3 \text{ m/s}$
 Traverse distance 5 m horizontal
 Acceleration $\leq 5 \text{ m/s}^2$
 Torsion cycles ≥ 1000000 (at max. 60 °C)
 Torsional stress $\pm 180 \text{ }^\circ/\text{m}$

Flammability

Contact material 94 HB
 Housing 94 V-2

Electrical connection



Release date: 2013-07-19 15:16 Date of issue: 2014-11-04 253337_eng.xml

Refer to "General Notes Relating to Pepperl+Fuchs Product Information".

Pepperl+Fuchs Group
 www.pepperl-fuchs.com

USA: +1 330 486 0001
 fa-info@us.pepperl-fuchs.com

Germany: +49 621 776 4411
 fa-info@de.pepperl-fuchs.com

Singapore: +65 6779 9091
 fa-info@sg.pepperl-fuchs.com

Cable FT2

Compliance with standards and directives

Standard conformity	
Degree of protection	EN 60529:2000
Standards	IEC 61076-2-101:2008
Flammability	Grip: UL 94 Cable: UL 758 / UL 1581
Halogen-free	IEC 60754-1:1994/DIN VDE 0472-815

Release date: 2013-07-19 15:16 Date of issue: 2014-11-04 253337_eng.xml