

Model Number

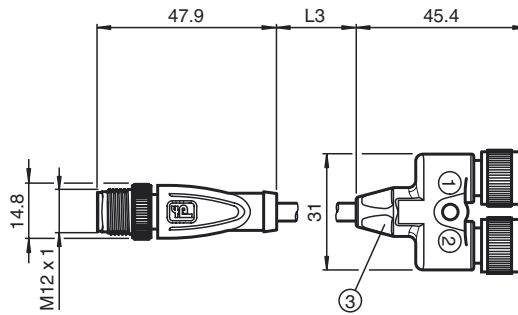
V1-G-T-BK2M-PUR-A-V1-G

Y connecting cable, M12 to 2xM12, 4-pin, PUR cable

Features

- Simple assembling of 2 signals to one M12 plug-in station
- Improved resistance to weld slag
- Immunity to vibration, with mechanical latching
- Suitable for drag chains
- Suitable for robotic applications / torsion resistant
- Flame resistant cable
- Halogen-free
- Resistant to microbes and hydrolysis
- Free of paint coating substances

Dimensions



Technical data

General specifications

Number of pins 4

Electrical specifications

Operating voltage U_B max. 30 V AC/DC

Operating current max. 4 A

Volume resistance $\leq 5 \text{ m}\Omega$

Surge protection overvoltage category III

Ambient conditions

Ambient temperature Body: -40 ... 90 °C (-40 ... 194 °F)
cable, fixed: -40 ... 80 °C (-40 ... 176 °F)
cable, flexing: -25 ... 80 °C (-13 ... 176 °F)

Pollution Degree 3

Mechanical specifications

Contact elements spring-loaded contact socket

Pin diameter 1 mm

Degree of protection IP67

Connection 1 x M12 connector, straight
2 x M12 straight sockets

Material

Contacts CuSn / Au

Contact surface Au

Body TPU, black

Cable PUR

Slotted nut Diecast zinc

Sleeve connector Diecast zinc

Core insulation PP

Cable extra-fine wire, flexible

Sheath diameter $\varnothing 4.3 \text{ mm}$

Bending radius $> 10 \times$ cable diameter, moving
 $> 5 \times$ cable diameter, fixed

Color black

Cores $4 \times 0.34 \text{ mm}^2$

Conductor construction $42 \times 0.1 \text{ mm } \varnothing$

Length L $L3 = 2 \text{ m}$

Drag chain suitability

Drag chain cycles ≥ 5000000 (at max. 60 °C)

Motion velocity $\leq 3.3 \text{ m/s}$

Traverse distance 5 m horizontal

Acceleration $\leq 5 \text{ m/s}^2$

Torsion cycles ≥ 1000000 (at max. 60 °C)

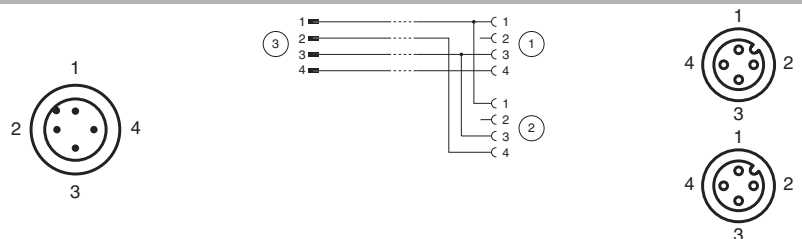
Torsional stress $\pm 180 \text{ }^\circ/\text{m}$

Flammability

Contact material 94 HB

Housing 94 V-2

Electrical connection



Release date: 2013-07-19 15:16 Date of issue: 2014-11-04 253338_eng.xml

Refer to "General Notes Relating to Pepperl+Fuchs Product Information".

Pepperl+Fuchs Group
www.pepperl-fuchs.com

USA: +1 330 486 0001
fa-info@us.pepperl-fuchs.com

Germany: +49 621 776 4411
fa-info@de.pepperl-fuchs.com

Singapore: +65 6779 9091
fa-info@sg.pepperl-fuchs.com

Cable	FT2
Compliance with standards and directives	
Standard conformity	
Degree of protection	EN 60529:2000
Standards	
Standards	IEC 61076-2-101:2008
Flammability	Grip: UL 94 Cable: UL 758 / UL 1581
Halogen-free	IEC 60754-1:1994/DIN VDE 0472-815

Release date: 2013-07-19 15:16 Date of issue: 2014-11-04 253388_eng.xml