



### Model Number

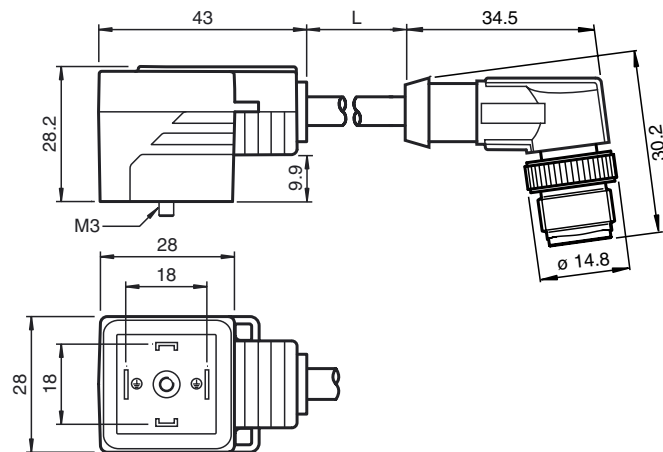
#### VMA-2+P/Z2-0,6M-PVC-V1-W

Valve connector, Form A on M12, 2+PE, LED, Z diode, PVC cable

### Features

- Valve connector according EN 175301-803 A/ISO 4400 (previously DIN 43650)
- Z diode as a protective circuit
- Built-in LED, as operating and function indicator
- Moulded seal
- freely selectable cable models due to bridged protective earth
- Flame resistant cable

### Dimensions



### Technical data

#### General specifications

Number of pins 2 + PE

#### Indicators/operating means

LED yellow Functional display

#### Electrical specifications

Operating voltage  $U_B$  24 V AC/DC

Operating current  $I_B$  max. 4 A

Volume resistance < 5 m $\Omega$

#### Ambient conditions

Ambient temperature Body: -20 ... 85 °C (-4 ... 185 °F)  
cable, flexing: -5 ... 80 °C (23 ... 176 °F)  
cable, fixed: -40 ... 80 °C (-40 ... 176 °F)

Pollution Degree 3

#### Mechanical specifications

Degree of protection IP65/IP67

Connection Valve connector Form A

#### Material

Contacts CuSn  
Contact surface Sn  
Body TPU, black  
Cable PVC  
Core insulation PVC

#### Cable

Sheath diameter Ø 4.8 mm  
Bending radius > 5 x cable diameter  
> 10 x cable diameter, fixed

Color black  
Cores 3 x 0.5 mm<sup>2</sup>, 20 AWG  
Conductor construction 28 x 0.15 mm Ø  
Length L 0.6 m

### Electrical connection

