



Model Number

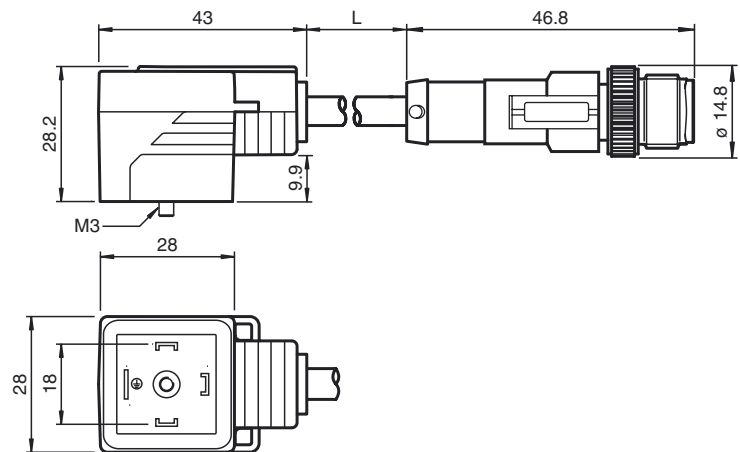
VMA-3+P/L1-10M-PUR-V1-G

Valve connector cordset, Form A to M12, 3+PE, Z-diode, PUR cable

Features

- Valve connector according EN 175301-803 A/ISO 4400 (previously DIN 43650)
- Suitable for pressure switches
- Moulded seal
- Halogen-free
- UL Recognized Component

Dimensions



Technical data

General specifications

Number of pins	3 + PE
Connection 1	Valve connector DIN
Construction type 1	right angle
Connection 2	Male connector
Construction type 2	straight
Threading 2	M12

Indicators/operating means

LED green/yellow	Operating display
------------------	-------------------

Electrical specifications

Operating voltage	U_B	24 V AC/DC
Operating current		max. 4 A
Volume resistance		< 5 m Ω

Ambient conditions

Ambient temperature	Body: -15 ... 85 °C (5 ... 185 °F) cable, flexing: -20 ... 80 °C (-4 ... 176 °F) cable, fixed: -40 ... 80 °C (-40 ... 176 °F)
---------------------	---

Pollution Degree	3
------------------	---

Mechanical specifications

Protection degree	IP65/IP67
Connection	Valve connector Form A
Material	
Contacts	CuSn
Contact surface	Sn
Body	TPU, black
Cable	PUR
Core insulation	PP
Cable	
Sheath diameter	\varnothing 5.3 mm
Bending radius	> 10 x cable diameter, appropriate for conveyor chains
Color	dark grey (RAL 7021)
Cores	(4 + 1) x 0.5 mm ²
Conductor construction	28 x 0.15 mm \varnothing
Length	L 10 m

Approvals and certificates

UL approval	cURus AWM 20549 (cable)
-------------	-------------------------

Electrical connection

