



### Model Number

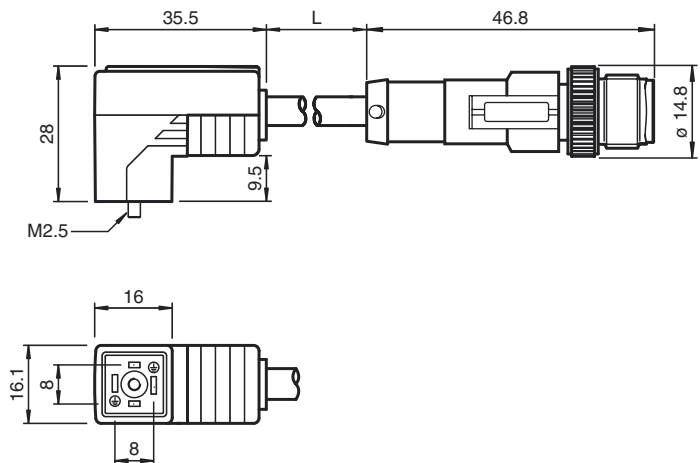
#### VMC-2+P/Z2-0,3M-PUR-V1-G

Valve connector, Form C on M12, 2+PE, Z diode, PUR cable

### Features

- Valve connector according EN 175301-803 A/ISO 4400 (previously DIN 43650)
- Z diode as a protective circuit
- Built-in LED, as operating and function indicator
- Moulded seal
- freely selectable cable models due to bridged protective earth
- Halogen-free
- UL Recognized Component

### Dimensions



### Technical data

#### General specifications

Number of pins	2 + PE
Connection 1	Valve connector DIN
Construction type 1	right angle
Connection 2	Male connector
Construction type 2	straight
Threading 2	M12

#### Indicators/operating means

LED yellow	Operating display
------------	-------------------

#### Electrical specifications

Operating voltage	$U_B$	24 V AC/DC
Operating current		max. 4 A
Volume resistance		< 5 m $\Omega$

#### Ambient conditions

Ambient temperature	Body: -15 ... 85 °C (5 ... 185 °F) cable, flexing: -20 ... 80 °C (-4 ... 176 °F) cable, fixed: -40 ... 80 °C (-40 ... 176 °F)
---------------------	---

Pollution Degree	3
------------------	---

#### Mechanical specifications

Protection degree	IP65/IP67
Connection	Valve connector Form C
Material	
Contacts	CuSn
Contact surface	Sn
Body	TPU, black
Cable	PUR
Core insulation	PP
Cable	
Sheath diameter	$\varnothing$ 4.5 mm
Bending radius	> 10 x cable diameter, appropriate for conveyor chains
Color	dark grey (RAL 7021)
Cores	(2 + 1) x 0.5 mm <sup>2</sup> ; 20 AWG
Conductor construction	28 x 0.15 mm $\varnothing$
Length	L 0.3 m

#### Approvals and certificates

UL approval	cURus AWM 20549 (cable)
-------------	-------------------------

### Electrical connection

